

Keysight Technologies

M8030A Multi-Channel BERT

Data Sheet



M8030A Multi-Channel BERT

The Keysight Technologies, Inc. M8030A multi-channel BERT provides a solution for J-BERT applications that require more than four channels. It supports up to 10 pattern generators and up to 10 analyzer channels for cases where multi-channel test applications, like PCIe®, passive optical network (PON) or ATE like applications are a must.

Due to the increasing complexity of devices and higher data rates, testing is more critical and complex. While single-lane testing might be sufficient at lower speeds, higher data rates increase the probability of crosstalk problems, making the use of multi-lane testing with different aggressor and victim signals more important. When multi-channel measurements are required in order to speed up throughput or test under real application conditions, the M8030A is the perfect tool.

M8020A Modules

The M8030A multi-channel BERT is 100 percent compatible with available J-BERT M8020A modules. Its ability to support the M8041A and the M8051A J-BERT modules protects your existing module investment. The AXIe embedded controller is also supported and can be easily used along with M8041A/51A J-BERT modules to create an integrated and highly compact test environment. For more details on available configurations, please see the Configuration Guide section in this data sheet.

Applications

The M8030A multi-channel BERT is designed for R&D and test engineers characterizing and verifying compliance of chips, devices, boards, and systems with multiple I/O ports up to 16 Gb/s, which are used in various industry segments dealing with computer devices, communication equipment, and others. Typical applications include:

- PCIe multi-channel tests
- PON ATE test (when a low number of channels is sufficient)
- 40GBASE and 100GBASE ports using 4 and 10 Gb/s ports

Features

- Data rates up to 8.5 Gb/s and 16 Gb/s
- Up to 10 BERT pattern generator and analyzer channels in a 14-slot AXIe chassis
- Integrated and calibrated jitter injection: RJ, PJ1, PJ2, SJ, BUJ, sinusoidal level interference (common-mode and differential-mode), SSC (triangular and arbitrary, residual) and clock/2
- Clock synchronization between all modules
- 8 tap de-emphasis, positive and negative
- Integrated jitter, de-emphasis and adjustable ISI, for each channel individually
- Interactive link training for PCI Express®
- Individually adjustable generator channel delay and pattern sequence
- Built-in clock recovery and equalization
- All options and modules are upgradeable

Benefits

- Increases test efficiency with higher throughput when testing multiple channels simultaneously
- Protects and leverages your investment in M8041A and M8051A modules by using them in J-BERT M8020A and M8030A BERT configurations
- Keeps-up with your test needs by enabling the addition of modules and required options as needed
- Ease of use by applying the same M8070A software for both, M8030A multi-channel BERT and J-BERT M8020A
- Minimizes the number of signal degrading reflections resulting from high-speed switches in your test setup

M8000 Series of BER Test Solutions

Simplified, time-efficient testing is essential when you are developing next-generation computer, consumer, or communication devices.

The Keysight M8000 Series is a highly integrated BER test solution for physical layer characterization, validation, and compliance testing.

With support for a wide range of data rates and standards, the M8000 Series provides accurate, reliable results that accelerate your insight into the performance margins of high-speed digital devices.

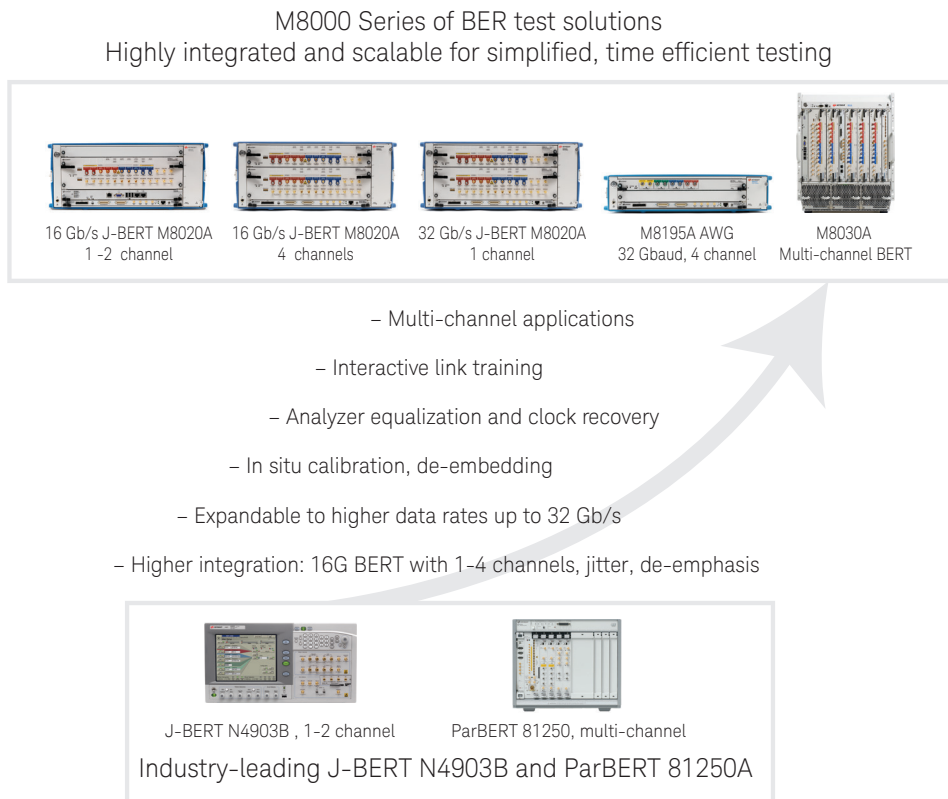


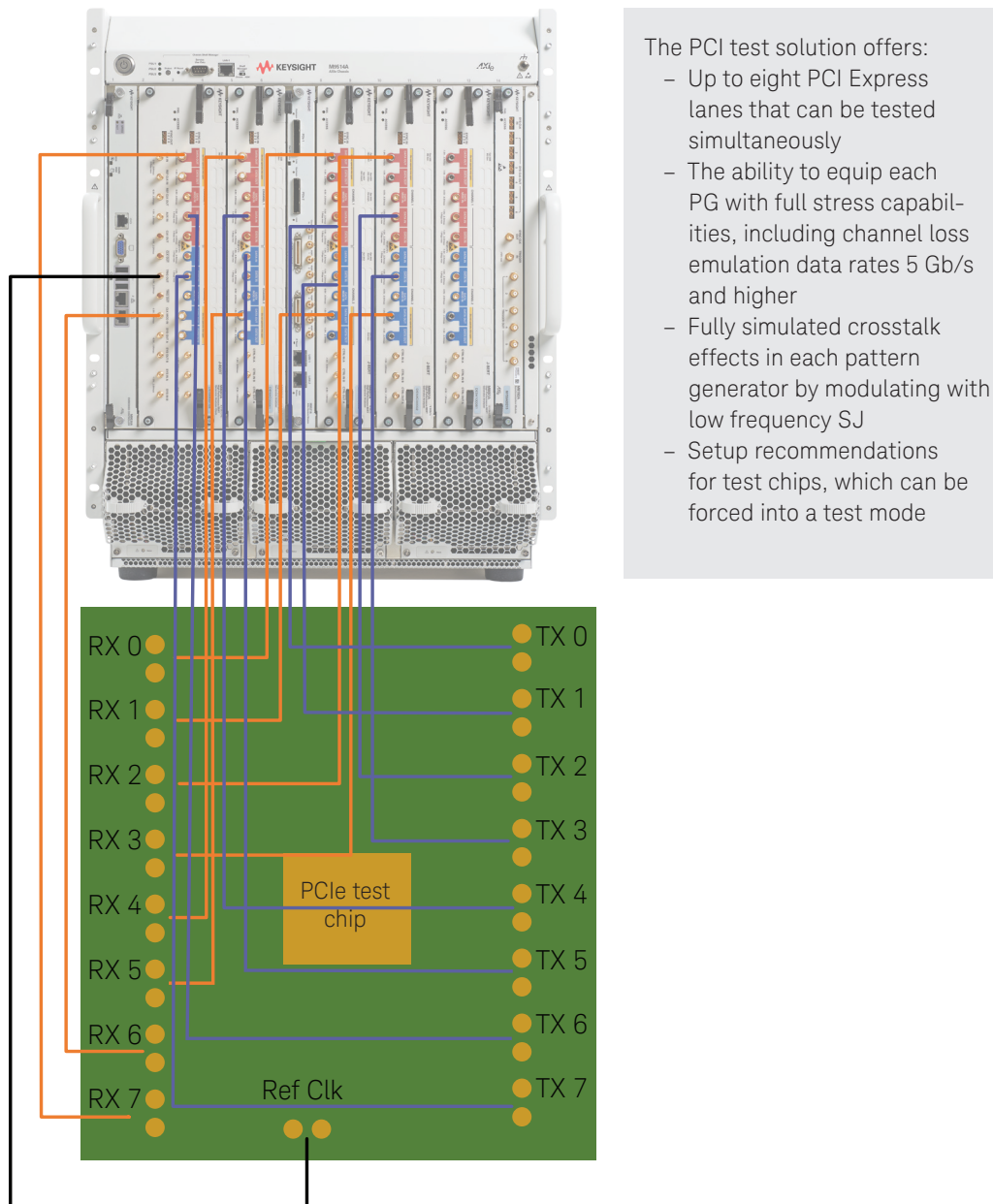
Figure 1. The M8000 Series BER test solution is highly integrated and scalable to address the challenges of the next generation of high-speed digital receiver test

M8030A Multi-Channel PCIe Receiver Test Application

The M8030A multi-channel BERT is a highly integrated receiver test system that can be configured for testing of up to 10 lanes, each with up to 16.2 Gb/s. Each pattern generator of the M8041A or M8051A module can be equipped with built-in impairments like timing jitter, amplitude interference, and channel emulation. It is the ideal solution for characterizing chipsets interfaces with multiple lanes or multiple ports.

Figure 2 shows an example of a characterization setup of a test chip with a PCI Express interface operating with a common reference clock. Each of the lanes can be stimulated and analyzed simultaneously. To emulate a real world scenario as closely as possible, each of the receiver ports can be stressed with independent jitter frequency and amplitude, allowing edges of neighboring channels to move throughout the victim's eye. Measurements like jitter tolerance characterization can be executed on each lane independently.

Compared to serial BERT setups, the M8030A increases the test throughput.



The PCI test solution offers:

- Up to eight PCI Express lanes that can be tested simultaneously
- The ability to equip each PG with full stress capabilities, including channel loss emulation data rates 5 Gb/s and higher
- Fully simulated crosstalk effects in each pattern generator by modulating with low frequency SJ
- Setup recommendations for test chips, which can be forced into a test mode

Figure 2. PCIe x8 receiver test setup for ASIC test

M8030A PON Test Application

Passive optical networks (PON) are based on time division multiple access (TDMA) as used by GPON, BPON, EPON, and the emerging NG-PON. In this system, the most critical sub-module is the receiver RX of the optical line terminal (OLT) in the central office, which has to address the upstream signal bursts arriving from the optical network units (ONU) as shown in Figure 3. The timing of the bursted pattern on each channel, the control of the number of preamble bits, and timing of the required control signals are challenging.

Figure 3 shows a test setup consisting of an M8030A with M8041A and M8051A modules, Keysight's Lightwave Measurement System (LMS) 8163B/8164B, and a digital communication analyzer (DCA-X) 81600D emulating the important portions of a PON. The exact timing capability for the two data bursts and the related laser control signals is essential for standard-compliant testing and characterization of the OLT's receiver. The pattern sequencer allows the set-up and generation of the burst-packages with the desired content.

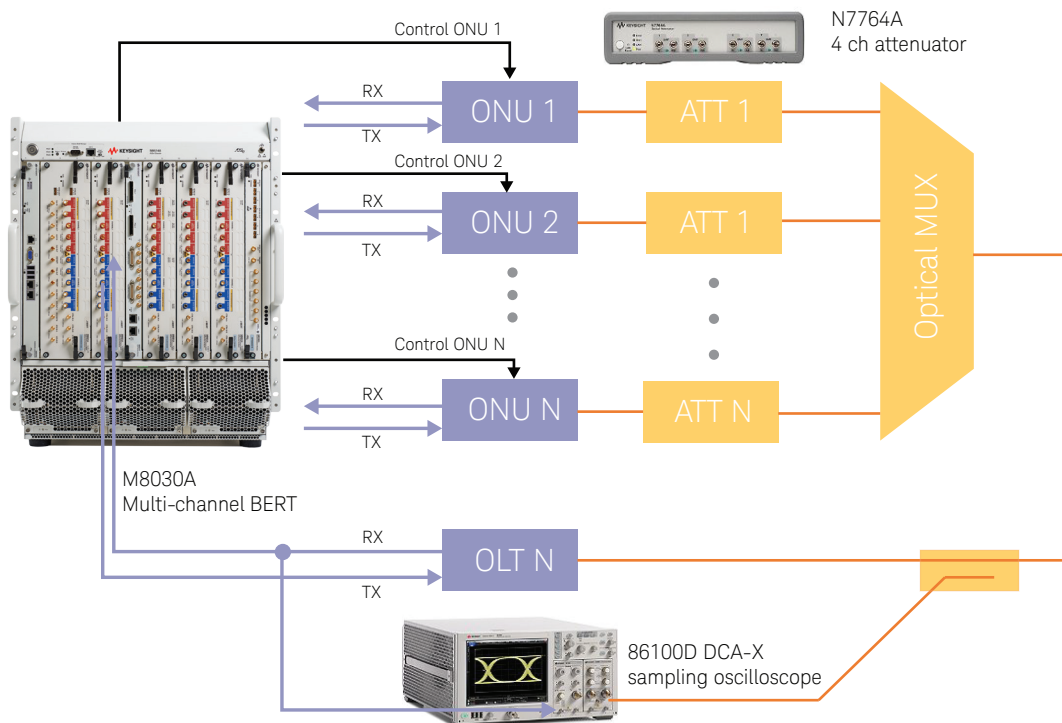


Figure 3. The M8000 Series BER test solution is highly integrated and scalable to address the test challenges of the next generation of high-speed digital receiver test

The M8030A provides:

- One to 10 synchronized pattern generator channels; analyzer configurable as one channel
- Powerful pattern sequencer that allows the setup of data bursts and control signals, and options to use "CTRL OUT" or data outputs for control signals, depending on the timing resolution required
- Masking of the analyzer's expected pattern to measure the BER only on payload
- Clock recovery to deal with bursted data
- Scripting interface, IronPython, to control other instruments in the test setup
- DUT control interface to read out error counters of the DUT

M8070A System Software for M8000 Series of BER Test Solutions

The M8030A is controlled from the Keysight M8070A system software, the same software platform used to control the J-BERT M8020A high performance BERT. This saves time and money since it eliminates the need to learn a new multi-channel test environment.

The M8070A software platform can be extended with software plug-in modules like the MIPI® M8085A. In addition, it is possible to add your own software to control an external DUT. For example, you may require to read BER from an external DUT through your software. This control interface needs to be written in broadly known IronPhyton. The M8070A provides full programming environment with interpreter, library and programming examples for IronPhyton.

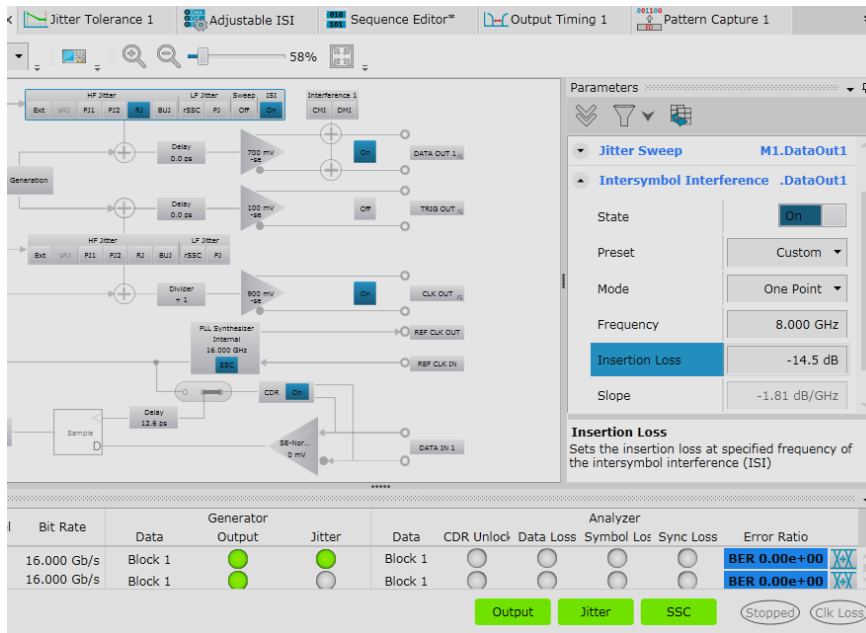


Figure 4. The M8070A graphical user interface showing the system view

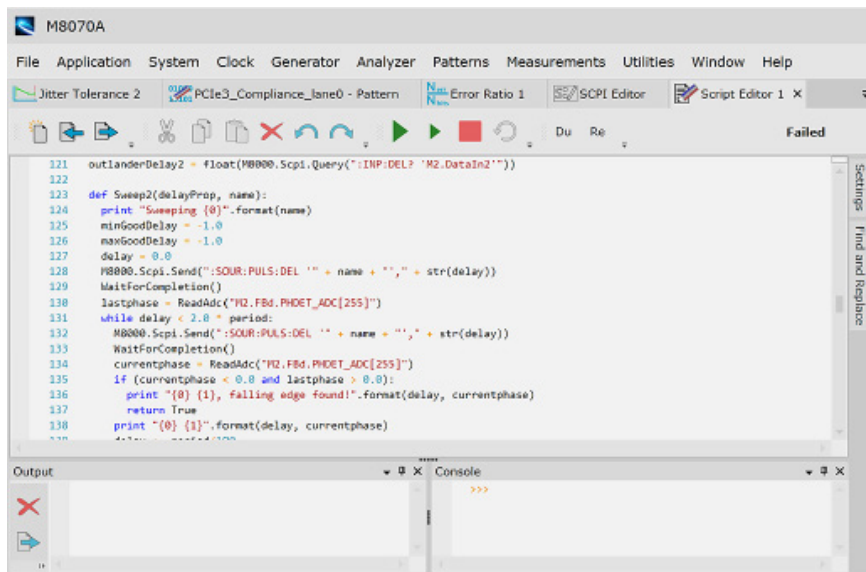


Figure 5. The IDE for IronPhyton DUT control interface

The M8070A system software's *module view* provides an easy to understand overview of the module and channel configuration. As shown in Figure 6, the system view gives an immediate overview of the status of each channel. Using *module view*, parameters related to connectors can be modified according to the test application. An overview screen provides a quick summary of the status of the outputs, locking of the error detectors, and BER.

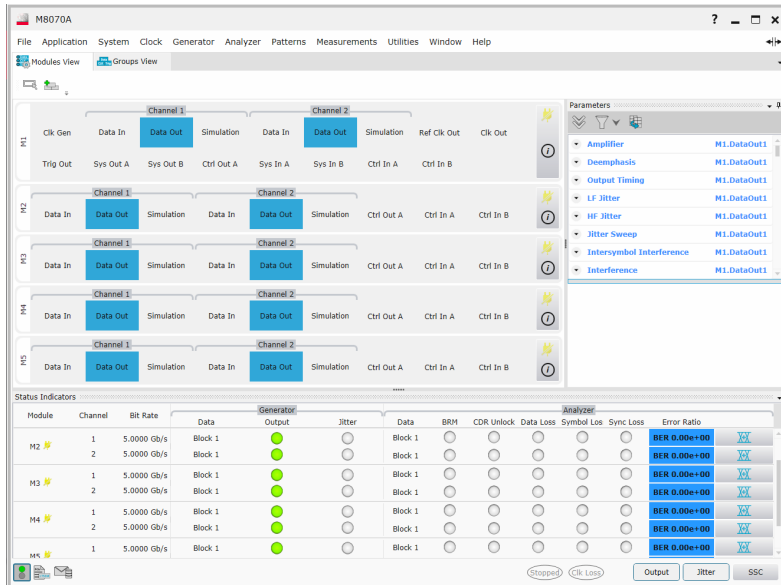


Figure 6. M8030A module view configured with 1x M8041A and 4x M8051A

In the analyzer view, various types of result analysis are available. In Figure 7 the color-coded eye diagram measurement is shown. In addition to this, eye-contour measurements, output timing, output level, jitter tolerance measurements, and bit error ratio measurements are provided for each channel individually, for up to 10 channels.

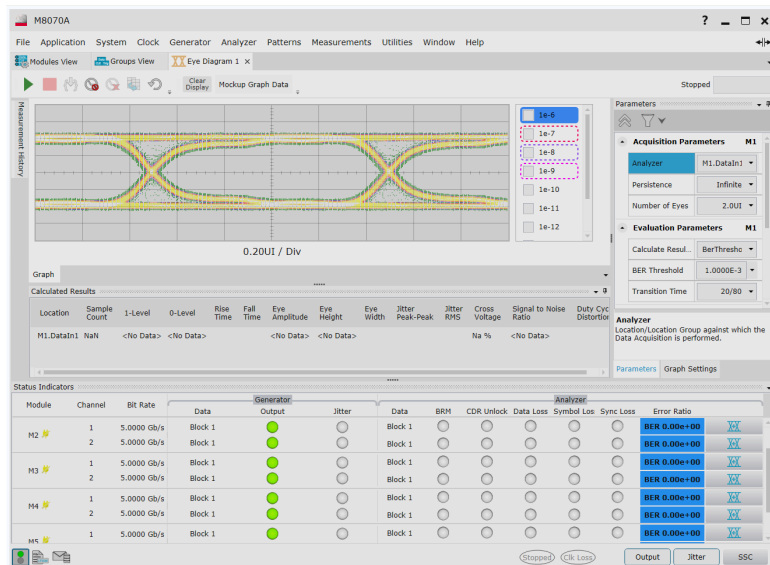


Figure 7. M8030A configured with 10 channels showing a color-coded eye diagram of one analyzer channel

M8030A Technical Specifications

The M8030A multi-channel BERT uses the M8041A and M8051A, and the M8192A modules. For specifications on the M8030A modules, please refer to the following data sheets:

Module type	Literature number
M8041A, M8051A, high-performance BERT - <i>Data Sheet</i>	5991-3647EN
M8192A, multi-channel synchronization module - <i>Data Sheet</i>	5991-2863EN
M9536A, AXIe embedded controller - <i>Data Sheet</i>	5990-7756EN

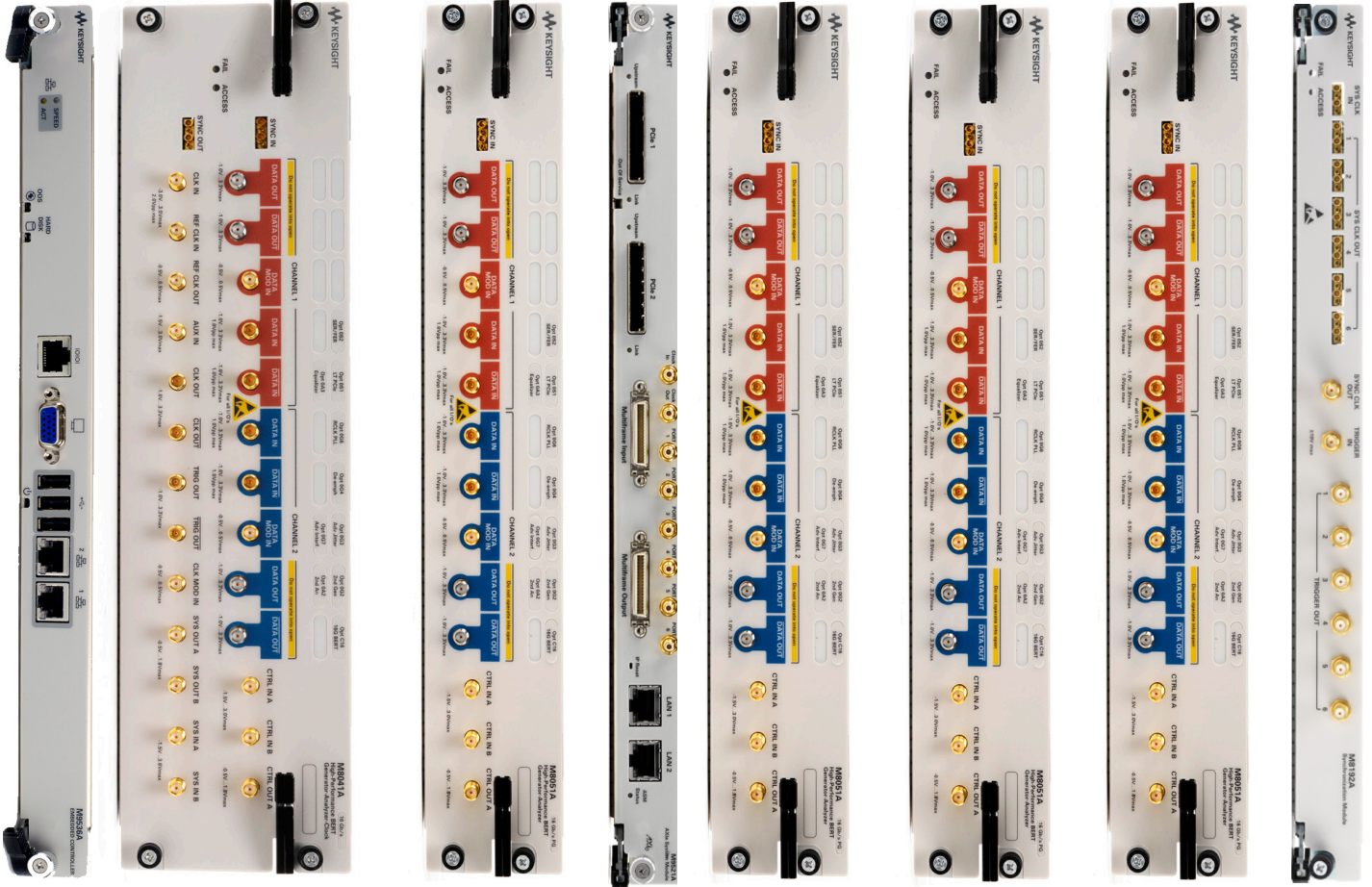
Configuration and Ordering Information

The M8030A is a modular test solution that can be tailored to your specific needs, from two channels with one M8041A, to up to 10 channels. Two bundles are available, depending on if an embedded PC is required:

Bundle	Description
M8030A-BU1 ¹	Includes an M9536A embedded controller, 14-slot AXIe chassis, and pre-installed software licenses
M8030A-BU2	Requires an external PC, connected to the M9521A controller in the M8030A via PCIe

1. When using many channels M8030A-BU1 is recommend to improve control speed.

Configuration and Ordering Information



Slot #1	Slot #2	Slot #3	Slot #4	Slot #5	Slot #6	Slot #7	Slot #8	Slot #9	Slot #10	Slot #11	Slot #12	Slot #13	Slot #14
M9536A AXIe embedded controller	M8141A J-BERT High-performance BERT module			M8151A J-BERT High-performance BERT module		M9521A AXIe System Module	M8151A J-BERT High-performance BERT module		M8151A J-BERT High-performance BERT module		M8151A J-BERT High-performance BERT module		M8192A AXIe Clock Sync module

Slot number	Module configuration rules
1	M8030A-BU1 AXIe embedded controller. For M8030A-BU2 this slot is empty and covered with filler front-plane
2-4	M8041A-xxx module, mandatory
5-6	M8051A-xxx module, optional
7	M9521A AXIe system module, always included in M8030A-BU1 or M8030A-BU2, must be in this slot
8-9	M8051A-xxx module, optional
10-11	M8051A-xxx module, optional
12-13	M8051A-xxx module, optional
14	M8192A AXIe clock sync module, multi-channel synchronization module, mandatory

Ordering information

Model	Description
M8030A	Multi-channel BERT
M8030A-BU1	Bundle consisting of one M9514A 14-slot AXle chassis and one M9536A AXle embedded PC controller with 16 GB RAM option
M8030A-BU2	Bundle consisting of one M9514A 14-slot AXle chassis
M8041A	
M8041A-C08 ¹	BERT one channel, data rate up to 8.5 Gb/s
M8041A-C16 ¹	BERT one channel, data rate up to 16 Gb/s
M8041A-G08 ¹	Pattern generator one channel, data rate up to 8.5 Gb/s
M8041A-G16 ¹	Pattern generator one channel, data rate up to 16 Gb/s
M8051A	
M8051A-C08 ¹	BERT one channel, data rate up to 8.5 Gb/s
M8051A-C16 ¹	BERT one channel, data rate up to 16 Gb/s
M8051A-G08 ¹	Pattern generator one channel, data rate up to 8.5 Gb/s
M8051A-G16 ¹	Pattern generator one channel, data rate up to 16 Gb/s
M8070A	
M8070A-ONP	System software for M8000 Series of BER test solutions, network/floating, perpetual license
M8070A-OTP	System software for M8000 Series of BER test solutions, transportable, perpetual license
M8070A-1NP	DUT control interface, network/floating, perpetual license
M8070A-1TP	DUT control interface, transportable, perpetual license
M8192A	
M8192A	Synchronization module for M8190A or M8051A modules

1. For additional software licenses, see *Keysight J-BERT M8020A - Data Sheet*

Related products

Model	Description
M8192A-802	Clock cable for the synchronization module (M8192A)
N4910A	Matched cable pair, 85 cm long, 2.4 mm (m f) to 2.4 mm (m f) for data outputs and inputs
Y1221A	AXle filler module single slot
Y1229A	Rail kit for M9514A AXle chassis
Y1234A	Protective cover for M9514A AXle chassis
Y1206A	Keyboard and optical mouse

Warranty

R1280A	Return-to-Keysight warranty - 3 years (standard)
R1380-M80XX	Service for M8000 Series of BER test solutions
PS-S10	Remote scheduled productivity assistance, select 1 to 999 hours
PS-S20	Startup assistance


Step-by-Step Configuration Guide

The M8030A multi-channel BERT is scalable and consists of:


- BERT modules: M8041A and up to four M8051A modules
- M8192A clock synchronization module
- M8070A system software
- Infrastructure such as chassis and embedded controller
- Accessories
- Services

The following steps will guide you through configuring a turn-key M8030A multi-channel BERT.

Step 1	Choose a 14-slot chassis and select the way you want to control the modules; usage without a chassis is not possible
Option	Description
M8030A-BU1	AXIe chassis, 14-slot with embedded AXIe controller. Software is pre-installed on embedded controller. This option is recommended when the setup is remotely controlled
M8030A-BU2	AXIe chassis, 14-slot; does not include a PC. Customer requires an external PC. Recommended configuration if the user needs M8041A with several M8051A modules. External PC needs to be connected using the PCIe interface
M9048A	PCIe desktop adapter: Gen2, x8, clock isolation is needed if option M8030A-BU2 is selected and highest download speed is required. Not needed if the USB interface is used
M9045B	PCIe laptop adapter: Gen1, x1 is needed if Option M8030A-BU2 is selected and highest download speed is required


Step 2	Choose the 1st BERT module - basic configuration selection
	
<p>M8041A 8.5/16 Gb/s generator analyzer clock, 3-slot AXIe module One selection out of the following four options is required</p>	
Option	Description
M8041A-C08	BERT, one channel, data rate up to 8.5 Gb/s
M8041A-C16	BERT, one channel, data rate up to 16 Gb/s
M8041A-G08	Pattern generator, one channel, data rate up to 8.5 Gb/s
M8041A-G16	Pattern generator, one channel, data rate up to 16 Gb/s

Step 3	
Choose the 1st BERT module – optional selections	
M8041A 8.5/16 Gb/s generator analyzer clock, 3-slot AXIe module	
Option	Description
M8041A-OA2	Second channel for analyzer, license, only valid if Option M8041A-C08 or M8041A-C16 is ordered
M8041A-OA3	Analyzer equalization, module-wide license, only valid if Option M8041A-C08 or M8041A-C16 is ordered
M8041A-OG2	Second channel for pattern generator, license
M8041A-OG3	Advanced jitter sources for receiver characterization, module-wide license
M8041A-OG4	8-tap de-emphasis, module-wide license
M8041A-OG5	Adjustable Inter-symbol Interference (ISI), module-wide license
M8041A-OG6	Reference clock input with multiplying PLL, clock-group-wide license
M8041A-OG7	Level interference sources for receiver characterization, module-wide license
M8041A-OS1	Interactive link training for PCI Express, clock-group-wide license, requires Option OG4 to allow de-emphasis negotiation. Only valid if Option C08 or C16 is ordered
M8041A-OS2	SER/FER analysis for coded and re-timed loop-back, clock-group-wide license. Only valid if Option C08 or C16 is ordered

Step 4	
Choose the 2nd BERT module – basic selection	
	
M8051A 8.5/16 Gb/s generator analyzer, 2-slot AXIe module; requires a M8041A module in slots 2-4	
Option-No	Description
M8051A-C08	BERT, one channel, data rate up to 8.5 Gb/s
M8051A-C16	BERT, one channel, data rate up to 16 Gb/s
M8051A-G08	Pattern generator, one channel, data rate up to 8.5 Gb/s
M8051A-G16	Pattern generator, one channel, data rate up to 16 Gb/s

Step 5	
Choose the 2nd BERT module – optional selections	
M8051A 8.5/16 Gb/s generator analyzer, 2-slot AXIe module	
Option-No	Description
M8051A-OA2	Second channel for analyzer, license; only valid if Option M8051A-C08 or M8051A-C16 is ordered
M8051A-OA3	Analyzer equalization, module-wide license; only valid if Option M8051A-C08 or M8051A-C16 is ordered
M8051A-OG2	Second channel for pattern generator; license
M8051A-OG3	Advanced jitter sources for receiver characterization, module-wide license
M8051A-OG4	8-tap de-emphasis, module-wide license
M8051A-OG5	Adjustable inter-symbol interference ISI, module-wide license
M8041A-OG7	Level interference sources for receiver characterization, module-wide license

Step 6	
For 2nd, 3rd, and 4th M8051A modules, repeat Steps 4 and 5	

Step 7	
Choose M8192A clock synchronization module if not already available.	
This module is required for all combinations of M8041A and any number of M8151As	
	
Option-No	Description
M8192A	M8192A multi-channel synchronization module for M8190A and M8030A multi-channel BERT

Step 8	
Choose BER test system software; must select one of two options	
Option-No	Description
M8070A-0TP	Transportable license for M8000 software
M8070A-ONP	Network license for M8000 software
Step 9	
Test automation software for PCIe, USB, SATA RX test is not a part of the M8030A multi-channel J-BERT structure. Order if needed	
Option-No	Description
N5990A-010	Required option
N5990A-101	Support for PCI Express Gen1, Gen2, and Gen3 receiver tests for J-BERT and M8000
N5990A-102	Support for USB 2.0 and 3.0 receiver tests for J-BERT, M8000, and ParBERT 7 Gbit/s (USB 3.0 only)
N5990A-103	Support for SATA 1.0, 2.0, and 3.0 RSG tests for J-BERT and M8000
N5990A-301	PCI Express 3.0 link training suite for J-BERT and M8000
N5990A-501	PCI Express link equalization tests
N5990A-302	USB 3.0 and 3.1 link training suite for J-BERT M8020A and N4903B
N5990A-303	SATA link training suite for J-BERT M8020A and N4903B
N5990A-155	DisplayPort receiver test for J-BERT M8020A and N4903B and ParBERT 3.35, 7, and 13.5 Gb/s
N5990A-165	MIPI M-PHY® receiver test for J-BERT M8020A and N4903B, and ParBERT 7 Gb/s
N5990A-365	MIPI M-PHY frame generator for J-BERT M8020A and N4903B, and ParBERT 7 for 13.5 Gb/s
Step 10	
Choose accessories	
Option	Description
N4910A	Matched cable pair, 85 cm long, 2.4 mm (m f) to 2.4 mm (m f) for data outputs and inputs
M8051A-802	Clock cross-over distribution cable for M8051A
Y1221A	AXIe filler module single slot
Y1229A	Rail kit for M9514A AXIe chassis
Y1234A	Protective cover for M9514A AXIe chassis
Y1206A	Keyboard and optical mouse

Default accessories included with shipment

M8041A module	Eight 50 Ω terminations, commercial calibration report ("UK6"), certificate of calibration, and ESD protection kit
M8051A module	Four 50 Ω terminations, clock synchronization cable (M8051A-802), commercial calibration report ("UK6"), and certificate of calibration
M8030A-BU1	M9514A AXIe chassis with embedded controller, USB cable, <i>Getting Started Guide</i> , AXIe filler panel, and power cord
M8030A-BU2	M9514A AXIe chassis, USB cable, <i>Getting Started Guide</i> , AXIe filler panel, and power cord
M8070A	CD-ROM with M8070A system software

Step 11 Choose warranty and service plan	
Option-No	Description
R1280A	3-year return-to-Keysight warranty and service plan
R1380-M80XX	Service for M8000 Series of BER test solutions
PS-S10	Remote scheduled productivity assistance. Select 1 to 999 hours
PS-S20	Startup assistance (one day)

Step 12 Upgrades for M8041A	
M8041A-U16	Upgrade to 16 Gb/s data rate from M8041A-G08 and M8041A-C08, module-wide license
M8041A-UA2	Upgrade of M8041A to second channel for analyzer, license
M8041A-UA3	Upgrade of M8041A to analyzer equalization, module-wide license
M8041A-UED	Upgrade to BERT from M8041A-G08 and M8041A-G16, module-wide license
M8041A-UG2	Upgrade of M8041A to second channel for pattern generator, license
M8041A-UG3	Upgrade of M8041A to advanced jitter sources for receiver characterization, module-wide license
M8041A-UG4	Upgrade of M8041A to multi-tap de-emphasis, module-wide license
M8041A-UG5	Upgrade of M8041A to adjustable inter-symbol interference (ISI) for all S/N, module-wide license ¹
M8041A-UG6	Upgrade of M8041A to reference clock input with multiplying PLL, clock group-wide license
M8041A-UG7	Upgrade of M8041A to advanced interference sources for receiver characterization, module-wide license
M8041A-US1	Upgrade of M8041A to interactive link training for PCI Express, clock group-wide license
M8041A-US2	Upgrade of M8041A to SER/FER analysis for coded and re-timed loop-back, clock group-wide license

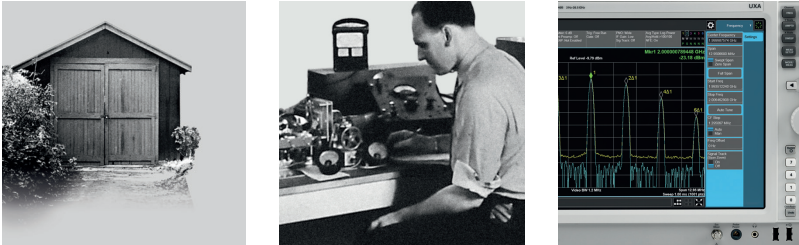
Step 13 Upgrades for M8051A	
M8051A-U16	Upgrade to 16 Gb/s data rate from M8051A-G08 and M8051A-C08, module-wide license
M8051A-UA2	Upgrade of M8051A to second channel for analyzer, license
M8051A-UA3	Upgrade of M8051A to analyzer equalization, module-wide license
M8051A-UED	Upgrade to BERT from M8051A-G08 and M8051A-G16, module-wide license
M8051A-UG2	Upgrade of M8051A to second channel for pattern generator, license
M8051A-UG3	Upgrade of M8051A to advanced jitter sources for receiver characterization, module-wide license
M8051A-UG4	Upgrade of M8051A to multi-tap de-emphasis, module-wide license
M8051A-UG5	Upgrade of M8051A to adjustable inter-symbol interference (ISI) for all S/N, module-wide license ¹
M8051A-UG7	Upgrade of M8051A to advanced interference sources for receiver characterization, module-wide license

Publication title	Pub number
<i>M8030A Multi-Channel BERT - Data Sheet and Configuration Guide</i>	5992-1287EN
<i>M9514A 14-slot AXIe Chassis - Data Sheet</i>	5991-3908EN
<i>Master Your MIPI M-PHY Receiver Test Using J-BERT M8020A - Application Brief</i>	5991-3959EN
<i>How to Pass Receiver Test According to PCI Express CEM Specification - Application Note</i>	5990-9208EN
<i>Accurate Calibration of PCIe 3.0 Receiver Stress Signals - Application Note</i>	5990-6599EN
<i>How to Test a MIPI M-PHY High-speed Receiver - Application Note</i>	5991-2848EN
<i>Master Your Next PCIe® 3 Receiver Test Using J-BERT M8020A - Application Note</i>	5991-4190EN
<i>Master Your Next USB 3.x Designs with J-BERT M8020A - Application Note</i>	5991-4357EN
<i>Characterizing and Verifying Compliance of 100 Gb Ethernet Components and Systems - Application Note</i>	5992-0019EN

1. For serial numbers < DE55300500, this upgrade requires "return -to-factory".

From Hewlett-Packard through Agilent to Keysight

For more than 75 years, we've been helping you unlock measurement insights. Our unique combination of hardware, software and people can help you reach your next breakthrough. **Unlocking measurement insights since 1939.**



1939 THE FUTURE

myKeysight

myKeysight

www.keysight.com/find/mykeysight

A personalized view into the information most relevant to you.



Three-Year Warranty

www.keysight.com/find/ThreeYearWarranty

Keysight's committed to superior product quality and lower total cost of ownership. Keysight is the only test and measurement company with a three-year warranty standard on all instruments, worldwide. And, we provide a one-year warranty on many accessories, calibration devices, systems and custom products.



Keysight Assurance Plans

www.keysight.com/find/AssurancePlans

Up to ten years of protection and no budgetary surprises to ensure your instruments are operating to specification, so you can rely on accurate measurements.

Keysight Infoline

Keysight Infoline

www.keysight.com/find/service

Keysight's insight to best in class information management. Free access to your Keysight equipment company reports and e-library.

Keysight Channel Partners

www.keysight.com/find/channelpartners

Get the best of both worlds: Keysight's measurement expertise and product breadth, combined with channel partner convenience.

PCIe® and PCI Express® are registered trademarks of the PCI-SIG.

MIPI® service marks and logo marks are owned by MIPI Alliance, Inc. and any use of such marks by Keysight Technologies is under license. Other service marks and trade names are those of their respective owners.

For more information on Keysight Technologies' products, applications or services, please contact your local Keysight office. The complete list is available at: www.keysight.com/find/contactus

Americas

Canada	(877) 894 4414
Brazil	55 11 3351 7010
Mexico	001 800 254 2440
United States	(800) 829 4444

Asia Pacific

Australia	1 800 629 485
China	800 810 0189
Hong Kong	800 938 693
India	1 800 11 2626
Japan	0120 (421) 345
Korea	080 769 0800
Malaysia	1 800 888 848
Singapore	1 800 375 8100
Taiwan	0800 047 866
Other AP Countries	(65) 6375 8100

Europe & Middle East

Austria	0800 001122
Belgium	0800 58580
Finland	0800 523252
France	0805 980333
Germany	0800 6270999
Ireland	1800 832700
Israel	1 809 343051
Italy	800 599100
Luxembourg	+32 800 58580
Netherlands	0800 0233200
Russia	8800 5009286
Spain	800 000154
Sweden	0200 882255
Switzerland	0800 805353
	Opt. 1 (DE)
	Opt. 2 (FR)
	Opt. 3 (IT)
United Kingdom	0800 0260637

For other unlisted countries:
www.keysight.com/find/contactus
 (BP-01-01-16)



www.keysight.com/go/quality

Keysight Technologies, Inc.
 DEKRA Certified ISO 9001:2008
 Quality Management System