

Logic Analyzers

TLA Family

Ordering Information

TLA60X

Logic Analyzer with External Display.

Includes: Mouse, keyboard, front-panel cover, accessory pouch, probe retainer bracket, probe manual, power cord (North American 120 VAC, 60 Hz), software, user manual, certificate of calibration, and one-year warranty (return to Tektronix) and your choice of probes. Display is not included - order Opt. 1M or Opt. 2M or use any SVGA monitor.

TLA601 - 34 channel Logic Analyzer, 2 GHz timing, 100 MHz state, 64 K depth (must select one probe option below). Options for up to 256 K depth and/or 200 MHz state. Requires external display.

TLA602 - 68 channel Logic Analyzer, 2 GHz timing, 100 MHz state, 64 K depth (must select one probe option below). Options for up to 256 K depth and/or 200 MHz state. Requires external display.

TLA603 - 102 channel Logic Analyzer, 2 GHz timing, 100 MHz state, 64 K depth (must select one probe option below). Options for up to 256 K depth and/or 200 MHz state. Requires external display.

TLA604 - 136 channel Logic Analyzer, 2 GHz timing, 100 MHz state, 64 K depth (must select one probe option below). Options for up to 256 K depth and/or 200 MHz state. Requires external display.



The TLA family of logic analyzers consists of the TLA600 Series and the TLA700 Series.

TLA Detailed Product Information

[Features](#)

[Specs](#)

> [Ordering Information](#)

[Pricing Information](#)

Additional Resources

[Printable Format \(6024 kB\)](#)



[Product Summary](#)

[Family Selection Guide](#)

[Family Upgrade Guide](#)

[Request a Quote](#)

Option	TLA601/611/621	TLA602/612/622	TLA603/613/623	TLA604/614/624
1P Add P6418 Probes	2	4	6	8
2P Add P6434 Probes	1	2	3	4
3P Add P6417 Probes	2	4	6	8
Please refer to the "Logic Analyzer Probe Selection Guidelines" for further details on the probe which is best for your application.				

TLA61X

Logic Analyzer with Internal Display.

Includes: Mouse, keyboard, front-panel cover, accessory pouch, probe retainer bracket, probe manual, power cord (North American 120 VAC, 60 Hz), software, user manual, certificate of calibration, and one-year warranty (return to Tektronix) and your choice of probes.

TLA611 - 34 channel Logic Analyzer, 2 GHz timing, 100 MHz state, 64 K depth (must select one probe option below). Options for up to 256 K depth and/or 200 MHz state.

TLA612 - 68 channel Logic Analyzer, 2 GHz timing, 100 MHz state, 64 K depth (must select one probe option below). Options for up to 256 K depth and/or 200 MHz state.

TLA613 - 102 channel Logic Analyzer, 2 GHz timing, 100 MHz state, 64 K depth (must select one probe option below). Options for up to 256 K depth and/or 200 MHz state.

TLA614 - 136 channel Logic Analyzer, 2 GHz timing, 100 MHz state, 64 K depth (must select one probe option below). Options for up to 256 K depth and/or 200 MHz state.

TLA62X

Logic Analyzer with Internal Display.

Includes: Mouse, keyboard, front-panel cover, accessory pouch, probe retainer bracket, probe manual, power cord (North American 120 VAC, 60 Hz), software, user manual, certificate of calibration, one-year warranty (return to Tektronix) and your choice of probes.

TLA621 - 34 channel Logic Analyzer, 2 GHz timing, 100 MHz

state, 1 M depth (must select one probe option below). Option for up to 200 MHz state.

TLA622 - 68 channel Logic Analyzer, 2 GHz timing, 100 MHz state, 1 M depth (must select one probe option below). Option for up to 200 MHz state.

TLA623 - 102 channel Logic Analyzer, 2 GHz timing, 100 MHz state, 1 M depth (must select one probe option below). Option for up to 200 MHz state.

TLA624 - 136 channel Logic Analyzer, 2 GHz timing, 100 MHz state, 1 M depth (must select one probe option below). Option for up to 200 MHz state.

Logic Analyzer Probe Options

Opt. 1P - Add P6418 17 channel general-purpose probes (each includes two 8 channel leadsets, one 1 channel leadset, 20 SMT KlipChip™ grabber tips).

Opt. 2P - Add P6434 34 channel high-density probe(s).

Opt. 3P - Add P6417 17 channel general-purpose probes (each includes two 8 channel leadsets, one 1 channel leadset, 20 SMT KlipChip grabber tips). Quantity of probes per option.

TLA60X/61X Logic Analyzer Options

(Base configuration is 64 K depth at 100 MHz state).

1S - Increase to 256 K depth at 100 MHz state.

4S - Increase to 64 K depth at 200 MHz state.

5S - Increase to 256 K depth at 200 MHz state.

TLA62X Logic Analyzer Option

(Base configuration is 1 M depth at 100 MHz state).

6S - Increase to 1 M depth at 200 MHz state.

TLA600 Series Upgrades

You can upgrade the operating system, TLA application software, increase DRAM and hard disk of your existing TLA600 logic analyzer. You can also increase the memory depth and state speed of most existing TLA600 Series logic analyzers.

Please refer to [TLA Family Upgrade Guide](#) for further details.

TLA60X/61X/62X Options

Opt. 1C - Add iView external oscilloscope cable kit (012-1614-00).

Opt. 1J - 512 MB DRAM/30 GB hard disk.

Opt. 1K - Add LACART logic analyzer cart.

Opt. 1M - Add 17 in. monitor (119-5700-00).

Opt. 2M - Add 21 in. monitor (119-5798-00).

TLA60X/61X/62X International Power Plugs

Opt. A1 - Universal Euro 220 VAC; 50 Hz.

Opt. A2 - UK 240 VAC; 50 Hz.

Opt. A3 - Australian 240 VAC; 50 Hz.

Opt. A4 - North American 240 VAC; 60 Hz.

Opt. A5 - Switzerland 220 VAC; 50 Hz.

Opt. A99 - No Power Cord.

TLA60X/61X/62X Optional Accessories

Logic Analyzer Cart - LACART, K4000.

TLA60X/61X/62X Rackmount Kit - Order 016-1790-00.

TLA60X/61X/62X Wheeled Transport Case - Order 016-1522-00.

17 in. Monitor Transport Case - Order 016-1653-00.

21 in. Monitor Transport Case - Order 016-1652-00.

83 Key Notebook Keyboard, PS2-Compatible - Order 118-9402-00.

TLA7QS - TLA Family training package. (TLA configuration required: 102 channels).

Opt. A1 - Universal Euro.

Opt. A2 - United Kingdom.

Opt. A6 - Japan.

TLA7QS Technical Reference Support Kit - Order

020-2211-02.

TLA600 Series Manuals

TLA Family User Manual - Order 071-0863-01 (for Version 4.1 TLA application software).

TLA7QS Quickstart Training Manual - Order 071-9717-05.

TLA600 Series Service Manuals and Test Fixtures

TLA60X/61X/62X Service Manual (includes performance verification and adjustment procedures) - Order 071-0728-01.

TLA Logic Analyzer Adjustment Fixture (includes AC adapter; requires local power cord) - Order 671-3599-00.

TLA715

Portable Dual Monitor Mainframe.

Includes: Wheel mouse, keyboard, front-panel cover, accessory pouch, two dual-wide panel fillers for empty slots, printer adapter, power cord (North American 120 VAC, 60 Hz), software, user manual, certificate of calibration and one-year warranty (return to Tektronix).

TLA721

Benchtop Dual Monitor Mainframe.

Includes: Wheel mouse, keyboard, five dual-wide panel fillers for empty slots, printer adapter, two P6041 SMB to BNC adapter cables; power cord (North American 120 VAC, 60 Hz), software, user manual, certificate of calibration and one-year warranty (return to Tektronix). Display is not included - order Opt. 3M or Opt. 4M or use any SVGA monitor.

TLA7XM

Expansion Mainframe.

Includes: Two expansion modules, Three expansion cables, Six dual-wide panel fillers for empty slots, One single-wide panel filler for empty slot, manual, power cord (North American 120 VAC, 60 Hz), statement of compliance and one-year warranty (return to Tektronix).

If installing a TLA7XM expansion mainframe into a TLA700 series mainframe, please consult the [TLA Family Upgrade Guide](#) for upgrade information.

TLA715/721 Options

Opt. 1A - Add LAN PC Card (119-6072-00).

Opt. 1C - Add iView external oscilloscope cable kit (012-1614-00).

Opt. 1K - Add LACART logic analyzer cart.

Opt. 1S - 512 MB DRAM / 30 GB replaceable hard disk (TLA715 only).

Opt. 3M - Add 18 in. 1280x1024 flat-panel display (119-6568-00).

Opt. 4M - Add 21 in. 1600x1200 flat-panel display (119-6569-00).

TLA715/TLA721/TLA7XM International Power Plugs

Opt. A1 - Universal Euro 220 VAC; 50 Hz.

Opt. A2 - UK 240 VAC; 50 Hz.

Opt. A3 - Australian 240 VAC; 50 Hz.

Opt. A4 - North American 240 VAC; 60 Hz.

Opt. A5 - Switzerland 220 VAC; 50 Hz.

Opt. A99 - No Power Cord.

TLA715/TLA721/TLA7XM Factory Configuration

Opt. 88 - Install modules in mainframe at factory (excludes merging of Logic Analyzer modules).

TLA704/714/715 TLA711/720/721 TLA7XM Optional Accessories

Logic Analyzer Cart - LACART, K4000.

TLA711 Rackmount Kit - Order 020-2197-00.

TLA720/TLA721/TLA7XM Rackmount Kit - Order 020-2369-00.

TLA704/714/715 Wheeled Transport Case - Order 016-1522-00.

TLA711/720/721/TLA7XM Wheeled Transport Case - Order 016-1651-00.

18 in. 1280x1024 Flat-panel Display with U.S. Standard, 120 V; 60 Hz Power Plug - Order 119-6568-00.

21 in. 1600x1200 Flat-panel Display with U.S. Standard, 120 V; 60 Hz Power Plug - Order 119-6569-00.

Power Cord, IEC320 C5 Universal Euro, Straight - Order 161-0311-00.

Power Cord, IEC320 C5 UK, Straight - Order 161-0312-00.

Power Cord, IEC320 C5 Australian, Straight - Order 161-0313-00.

Power Cord, IEC320 C5 Switzerland, Straight - Order 161-0314-00.

Wheeled Transport Case for 18 in. 1280x1024 Flat-panel Display - Order 016-1895-00.

Wheeled Transport Case for 21 in. 1600x1200 Flat-panel Display - Order 016-1896-00.

83 Key Notebook Keyboard, PS2-Compatible - Order 118-9402-00.

TLA7QS - TLA Family training package. (TLA700 configuration required: 102 channel logic analyzer module (required) plus 2 channel digitizing oscilloscope module (optional) plus 64 channel pattern generator module (optional)).

Opt. A1 - Universal Euro.

Opt. A2 - United Kingdom.

Opt. A6 - Japan.

TLA7QS Technical Reference Support Kit - Order 020-2211-02.

TLA700 Series Manuals

TLA Family User Manual - Order 071-0863-01 (for Version 4.1 TLA application software).

TLA7QS Quickstart Training Manual -

Order 071-9717-05.

TLA700 Series Service Manuals and Test Fixtures

TLA715 Service Manual (includes performance verification and adjustment procedures) - Order 071-0913-00.

TLA721/7XM Service Manual (includes performance verification and adjustment procedures) - Order 071-0912-00.

TLA Logic Analyzer Adjustment Fixture (includes AC adapter; requires local power cord) - Order 671-3599-00.

TLA7Nx/7Px/7Qx Logic Analyzer Modules Service Manual (includes performance verification and adjustment procedures) - Order 071-0864-01.

TLA7PG2 Pattern Generator Module Service Manual (includes performance verification and adjustment procedures) - Order 071-0714-01.

TLA7Dx/7Ex DSO Modules Service Manual (includes performance verification and adjustment procedures) - Order 070-9780-03.

TLA700 Series Mainframe Upgrades

You can upgrade the operating system, TLA application software, increase DRAM and hard disk, add existing modules as well as other new capabilities to your existing TLA714/715/720/721 mainframe.

Please refer to [TLA Family Upgrade Guide](#) for further details.

Logic Analyzer Modules

Includes: Probe retainer bracket, Probe Manual, User Manual, Certificate of Calibration, One-year Warranty (return to Tektronix), and your choice of probes.

TLA7N1 - 34 channel Logic Analyzer module, 2 GHz timing, 100 MHz state, 64 K depth (must select one probe option below). Options for up to 4 M depth and/or 200 MHz state.

TLA7N2 - 68 channel Logic Analyzer module, 2 GHz timing, 100 MHz state, 64 K depth (must select one probe option below). Options for up to 4 M depth and/or 200 MHz state.

TLA7N3 - 102 channel Logic Analyzer module, 2 GHz timing, 100 MHz state, 64 K depth (must select one probe option

below). Options for up to 4 M depth and/or 200 MHz state.

TLA7N4 - 136 channel Logic Analyzer module, 2 GHz timing, 100 MHz state, 64 K depth (must select one probe option below). Options for up to 4 M depth and/or 200 MHz state.

TLA7P2 - 68 channel Logic Analyzer module, 2 GHz timing, 100 MHz state, 16 M depth (must select one probe option below). Option for up to 200 MHz state.

TLA7P4 - 136 channel Logic Analyzer module, 2 GHz timing, 100 MHz state, 16 M depth (must select one probe option below). Option for up to 200 MHz state.

TLA7Q2 - 68 channel Logic Analyzer module, 2 GHz timing, 100 MHz state, 64 M depth (must select one probe option below). Option for up to 200 MHz state.

TLA7Q4 - 136 channel Logic Analyzer module, 2 GHz timing, 100 MHz state, 64 M depth (must select one probe option below). Option for up to 200 MHz state.

Logic Analyzer "N, P & Q" Module Probe Options

Opt. 1P - Add P6418 17 channel general-purpose probes (each includes two 8 channel leadsets, one 1 channel leadset, 20 SMT KlipChip™ grabber tips).

Opt. 2P - Add P6434 34 channel high-density probe(s).

Opt. 3P - Add P6417 17 channel general-purpose probes (each includes two 8 channel leadsets, one 1 channel leadset, 20 SMT KlipChip™ grabber tips).

Quantity of probes per option.

Option	TLA7N1	TLA7N2	TLA7N3	TLA7N4	TLA7P2	TLA7P4	TLA7Q2	TLA7Q4
1P Add P6418 Probes	2	4	6	8	4	8	4	8
2P Add P6434 Probes	1	2	3	4	2	4	2	4
3P Add P6417 Probes	2	4	6	8	4	8	4	8

Logic Analyzer "N" Module Options

(Base configuration is 64 K depth at 100 MHz state)

1S - Increase to 256 K depth at 100 MHz state.

2S - Increase to 1 M depth at 100 MHz state.

3S - Increase to 4 M depth at 100 MHz state.

4S - Increase to 64 K depth at 200 MHz state.

5S - Increase to 256 K depth at 200 MHz state.

6S - Increase to 1 M depth at 200 MHz state.

7S - Increase to 4 M depth at 200 MHz state.

Logic Analyzer "P" Module Options

(Base configuration is 16 M depth at 100 MHz state)

1S - Increase to 16 M depth at 200 MHz state.

Logic Analyzer "Q" Module Options

(Base configuration is 64 M depth at 100 MHz state)

1S - Increase to 64 M depth at 200 MHz state.

TLA700 Series Module Upgrades

You can increase the memory depth and state speed of most existing TLA700 Series logic analyzer modules. You can also install a TLA7Nx/Px/Qx logic analyzer module into an existing TLA714/720/7XM mainframe. Please refer to the [TLA Family Upgrade Guide](#) for further details.

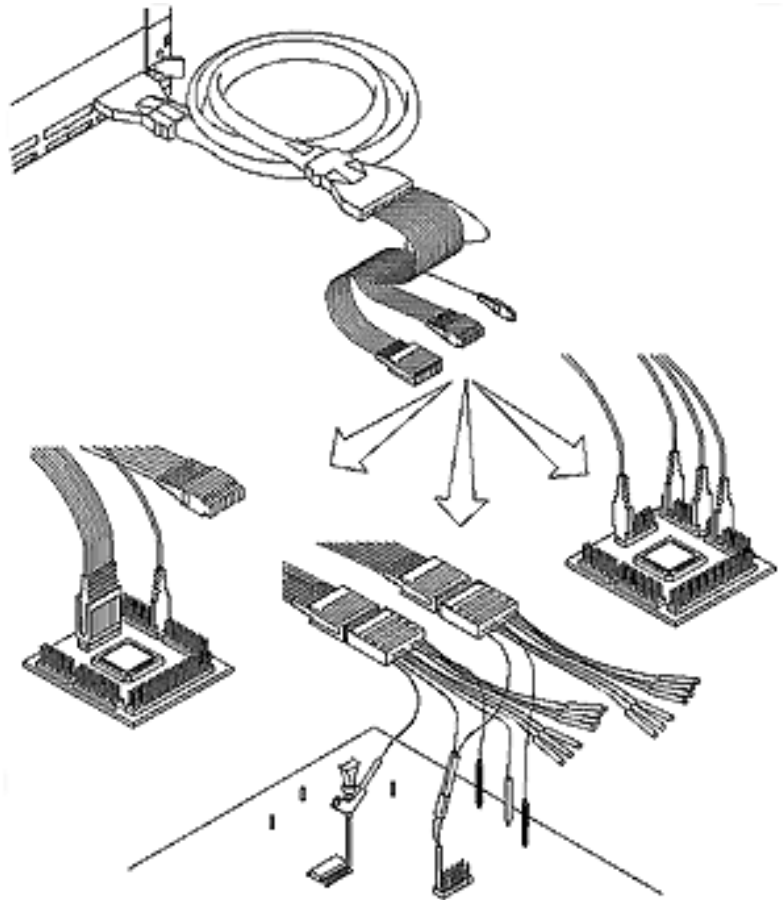
Logic Analyzer Probe Selection Guidelines

For the TLA7Nx/Px/Qx logic analyzer modules, you have your choice of three probe options:

P6418 (TLA7Nx/Px/Qx Option 1P) - The P6418 (application not pictured) is a 17 channel general-purpose probe with leadsets and grabber tips for use with: 1) probing individual test points within your target system, either directly or with a test clip, or 2) direct connection to legacy TLA family processor/bus support probe adapters with 8 channel probe connectors. The P6418 works with a wide-range of industry-standard probing accessories for flexible attachment to your target system. This

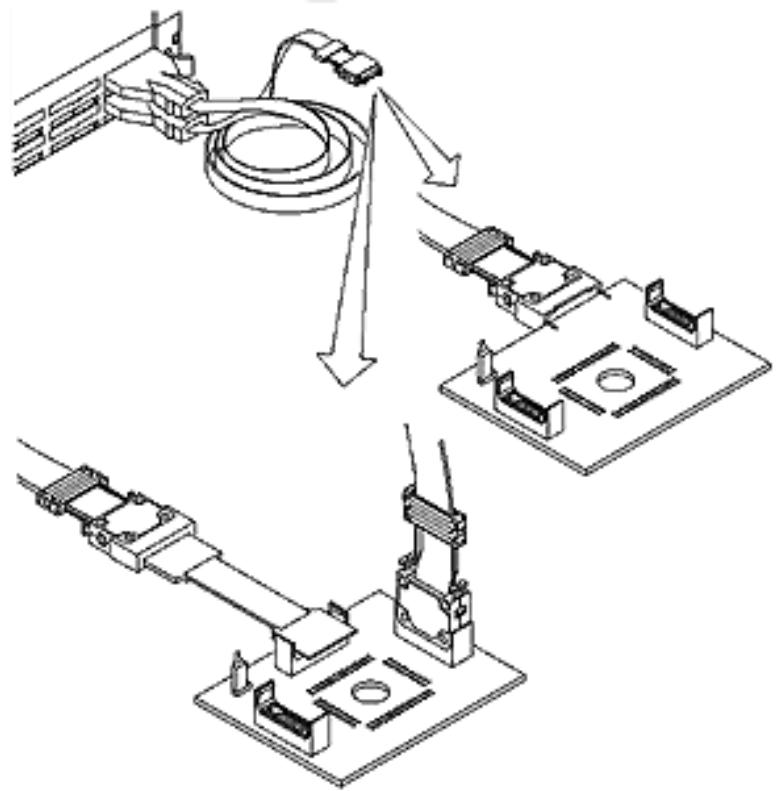
probe is recommended for most general-purpose applications.

P6417 (TLA7Nx/Px/Qx Option 3P) - The P6417 (application shown below) is a 17 channel general-purpose probe that is similar to the P6418 with the additional capability of allowing you to separate the 8 channel podlet groups into individual channels for both maximum electrical performance and maximum distance between adjacent channels. This probe is recommended for those general-purpose applications that require maximum flexibility.



P6417.

P6434 (TLA7Nx/Px/Qx Option 2P) - The P6434 (application shown below) is a lightweight probe with quick connect/disconnect and a positive latching mechanism to ensure a secure, reliable connection. It is for use with: 1) applications where you have designed in the AMP Mictor high-density connectors into your target system, or 2) direct connection to newer TLA family processor/bus support probe adapters with AMP Mictor 34 channel probe connectors. An optional low-profile adapter for low-clearance applications is also available. This probe is recommended for all high-density applications.



P6434.

P6417 Probe Cable Length - 1.8 m (6 ft.).

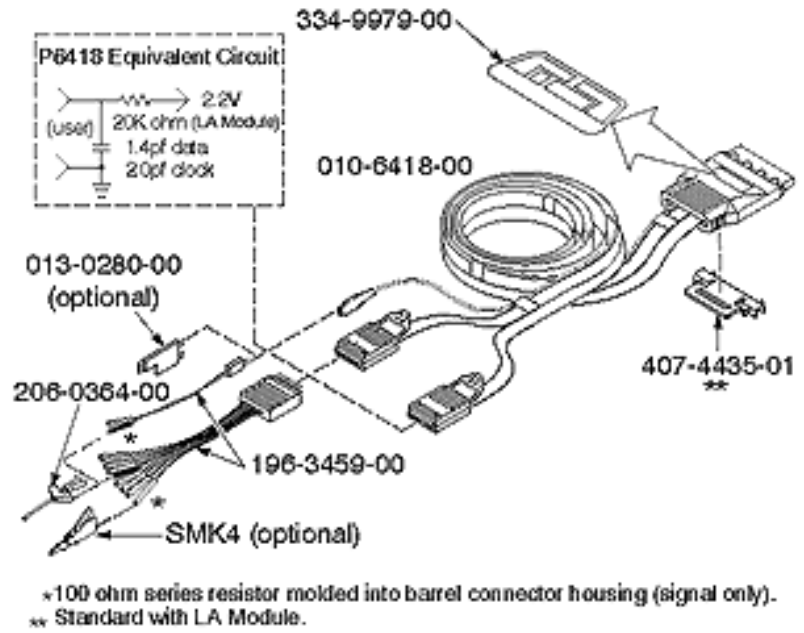
P6418 Probe Cable Length - 1.9 m (6.25 ft.).

P6434 Probe Cable Length - 1.5 m (5 ft.).

All three probes have the same electrical length.

Logic Analyzer Module Probes and Accessories

17 Channel General-purpose Probe and Accessories for TLA7Lx/7Mx, TLA7Nx/7Px/7Qx Logic Analyzer Modules - Order P6418.



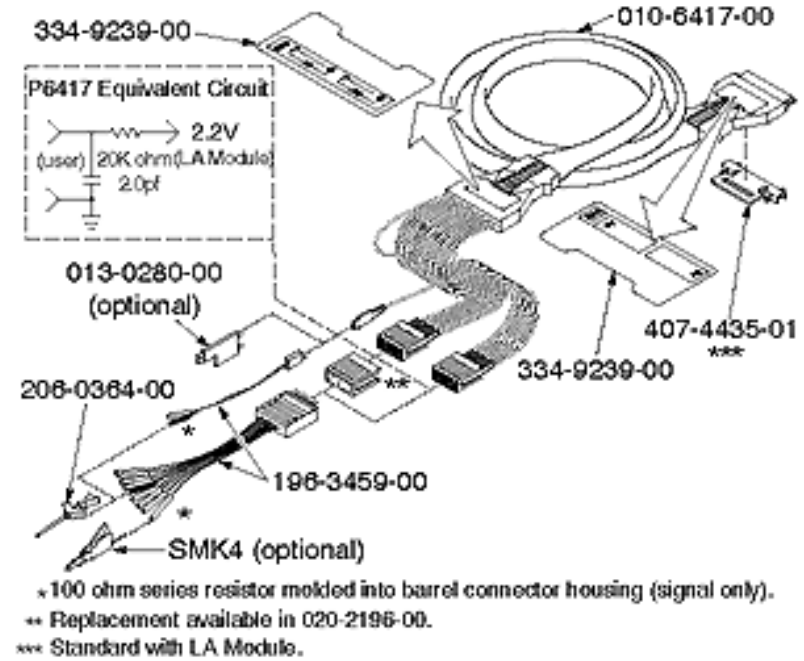
P6418.

P6418.



Part Number	Description
010-6418-00	17 channel probe
334-9979-00	1 sheet of probe labels (not installed)
196-3459-00	2 each - 8 channel leadsets (barrel connectors) and 1 each - 1 channel leadset (barrel connectors)

206-0364-00	20 each - SMT KlipChip grabber tips
013-0280-00	(optional) one-to-two adapter
SMK4	(optional) micro KlipChip grabber tip adapter, 4 each
071-0567-00	P6417/P6418 Instruction Manual



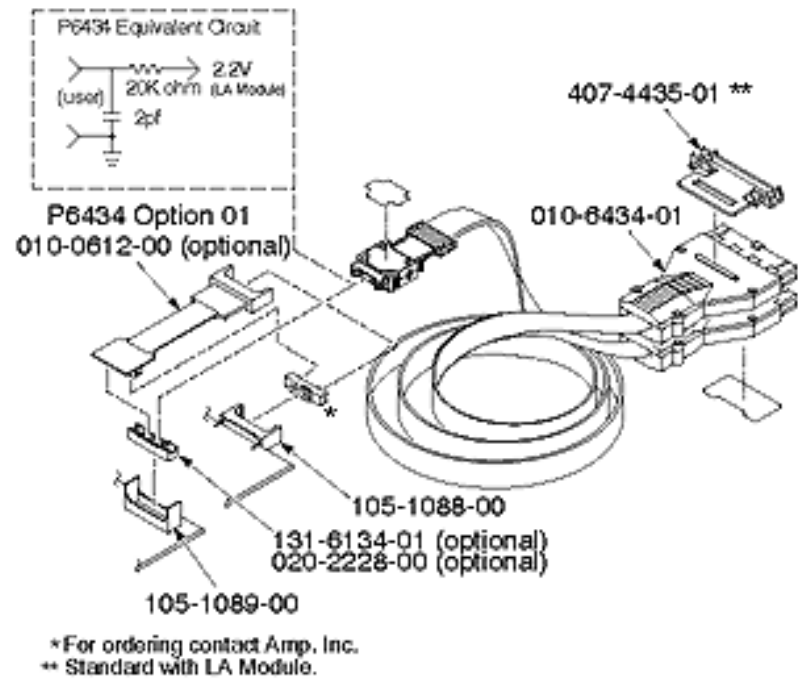
P6417.

P6417.



Part Number	Description
-------------	-------------

010-6417-00	17 channel probe
N/A	2 each - 8 channel podlet holders (installed)
N/A	1 Set of 17 podlet color coding bands (installed)
334-9239-00	1 sheet of probe labels (not installed)
196-3459-00	2 each - 8 channel leadsets (barrel connectors) and 1 each - 1 channel leadset (barrel connectors)
206-0364-00	20 each - SMT KlipChip grabber tips
013-0280-00	(optional) one-to-two adapter
SMK4	(optional) micro KlipChip grabber tip adapter, 4 each
071-0567-00	P6417/P6418 Instruction Manual



P6434.

P6434.

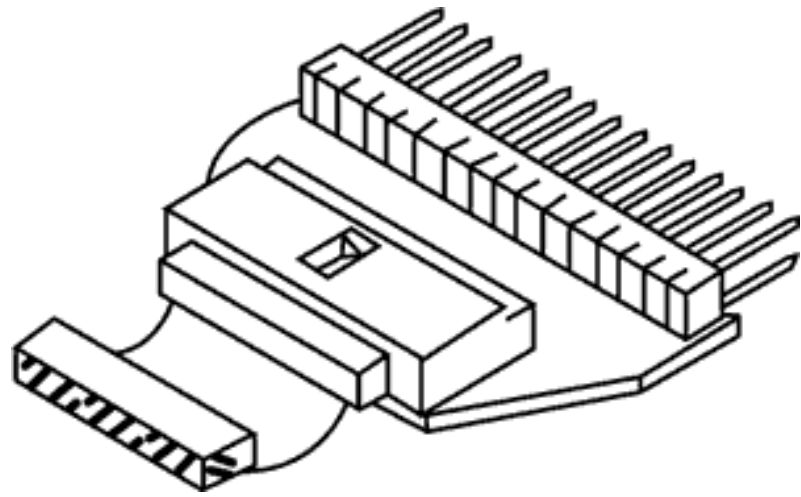


34 Channel High-density Probe and Accessories for TLA7Lx/7Mx, TLA7Nx/7Px/7Qx Logic Analyzer Modules - Order P6434.

Part Number	Description
010-6434-00	34 channel probe
N/A	1 sheet of probe labels (not installed)
105-1088-00	1 latch housing assembly, edge-mount
105-1089-00	1 latch housing assembly, vertical
070-9793-02	P6434 Instruction Manual
131-6134-01	(optional) 1 each - AMP mictor connector, surface-mount
020-2228-00	(optional) 21 each - AMP mictor connector, surface-mount

34 Channel Low-profile adapter for P6434 - Order P6434 Option 01.

Part Number	Description
010-0612-00	(optional) low-profile leadset for P6434

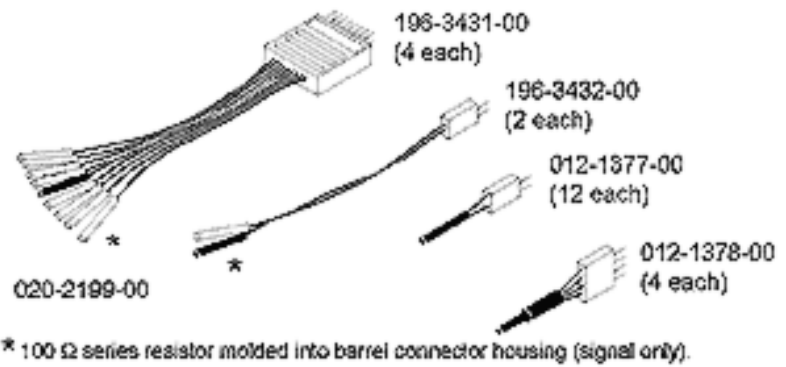


UPIK3M.

P6417 to 3M Type 3592, 2x10, 0.1 in. Adapter -

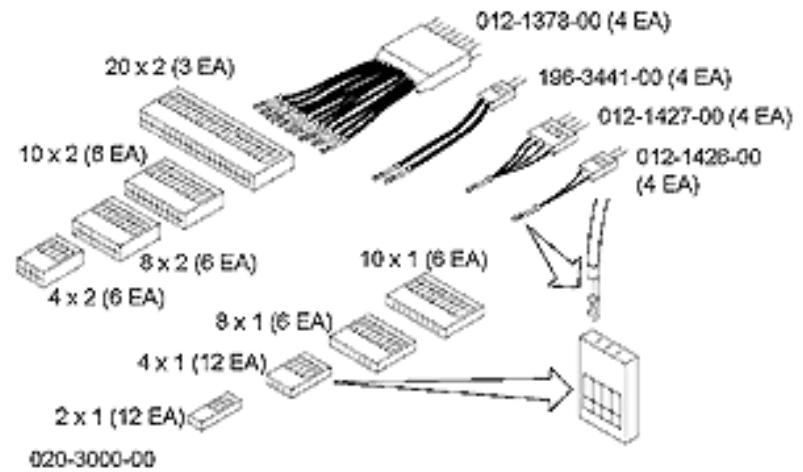
Order UPIK3M (5 ea.).

Order 671-2508-00 (1 ea.).



34 Channel Probe Interface Kit w/ Barrel Connectors -

Order 020-2199-00.



34 Channel Probe Interface Kit w/ mini-PV Connectors - Order 020-3000-00.

Differential to Single-ended Converters

Each podlet converts 8 input differential pairs to a single-ended output for use with the TLA Logic Analyzer. They draw their power from separate wires connected to the system under test. The units are shipped without any input termination connected and a supply of 100 ohm termination resistors for use and installation by the user, if desired. The units are shipped without input leadsets. Leadsets are also available.

Differential to Single-ended converter pods.



Differential ECL/PECL to Single-ended ECL Converter Pod

Each channel is converted via an ON semiconductor MC10E416 buffer which will support speeds as high as 800 MHz. The inputs have provisions for differential and/or parallel termination. The input power is provided via two leads that are connected to a lower voltage and a higher voltage, each DC-isolated from the output, allowing operation in both ECL and PECL systems.

Differential LVDS/TTL to Single-ended TTL Converter Pod

Each channel is converted via a national semiconductor DS90LV032A receiver supporting data rates in excess of 400 Mbps (200 MHz). The inputs have provisions for differential terminations and have resistor-diode input protection from over voltage.

For information or ordering, please contact:

Dragonfly Software Development
4905 SW Griffith Drive, Suite 100
Beaverton, OR 97005-8724
(503) 643-3800 phone
(503) 626-9653 fax
sales@dfsw.com

Pattern Generator Module

TLA7PG2 - 64 channel pattern generator module, 134 MHz data rate, 256 K depth (please select probe option below).

Includes: Four probe cables, user manual, certificate of calibration and one year warranty (return to Tektronix).

Opt. 1C - Add 168 SMT KlipChip grabber tips.

Opt. 1M - Increase to 1 M depth.

Opt. 1P - Add four P6470 TTL/CMOS probes (each includes two 8 channel leadsets and one 5 channel leadset).

Opt. 2P - Add four P6471 ECL probes (each includes two 8 channel leadsets and one 5 channel leadset).

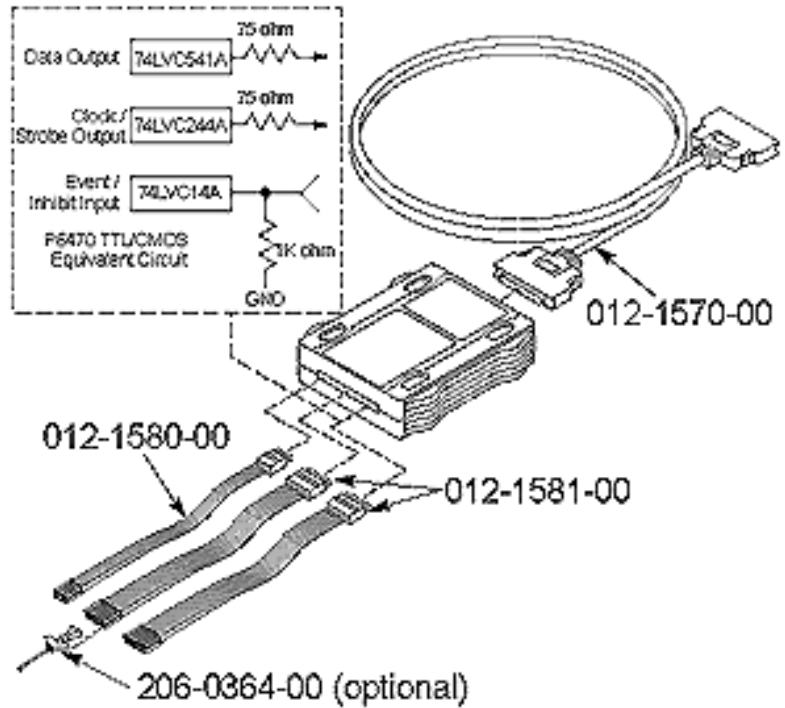
Opt. 3P - Add four P6472 PECL probes (each includes one 8 channel leadset and one 5 channel leadset).

Opt. 4P - Add four P6473 LVDS probes (each includes two 8 channel leadsets and one 5 channel leadset).

Opt. 5P - Add four P6474 LVCMOS probes (each includes two 8 channel leadsets and one 5 channel leadset).

TLA700 Series Pattern Generator Module(s) Upgrades

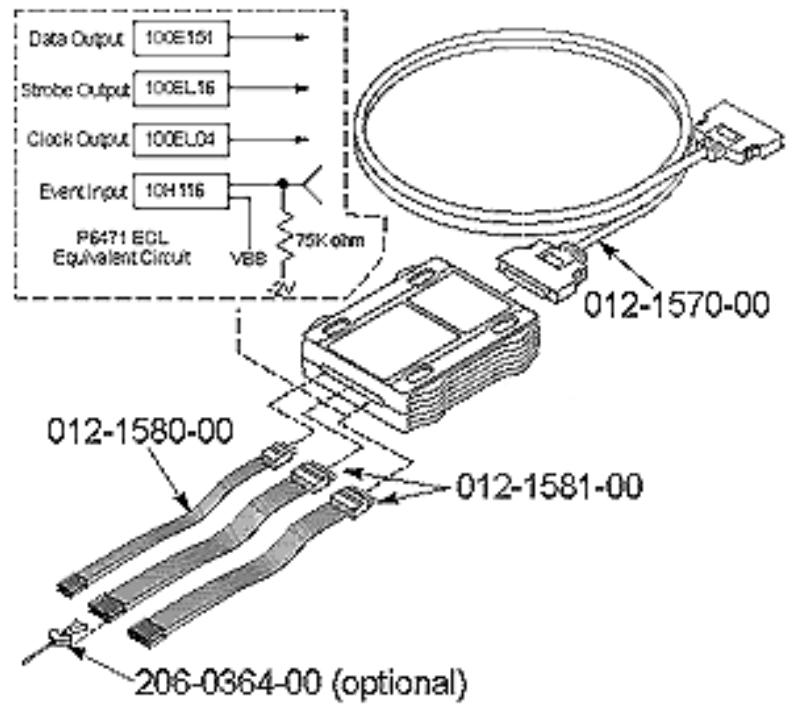
You can increase the memory depth of most existing TLA700 Series pattern generator modules. You can also install a TLA7PG2 pattern generator module into an existing TLA714/720/7XM mainframe. Please refer to the [TLA Family Upgrade Guide](#) for further details.



P6470.

16 Channel TTL/CMOS Probe and Accessories for TLA7PG2 Pattern Generator Module - Order P6470.

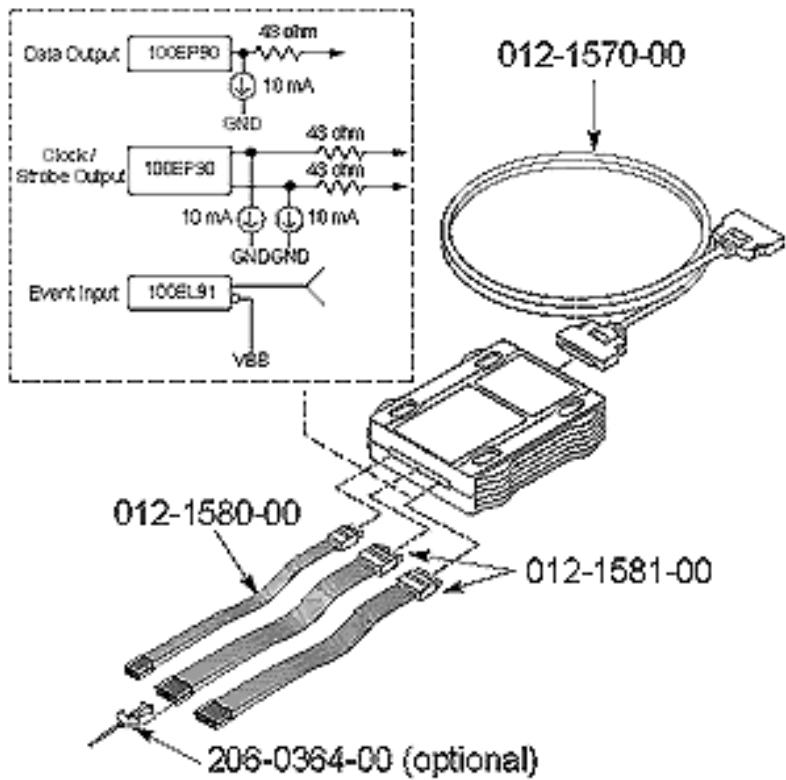
Part Number	Description
012-1581-00	2 each - 8 channel leadsets
012-1580-00	1 each - 5 channel leadset
012-1570-00	(optional - std. with TLA7PG2 module) probe cable
071-0976-00	Pattern Generator Probe User Manual



P6471.

16 Channel ECL Probe and Accessories for TLA7PG2 Pattern Generator Module - Order P6471.

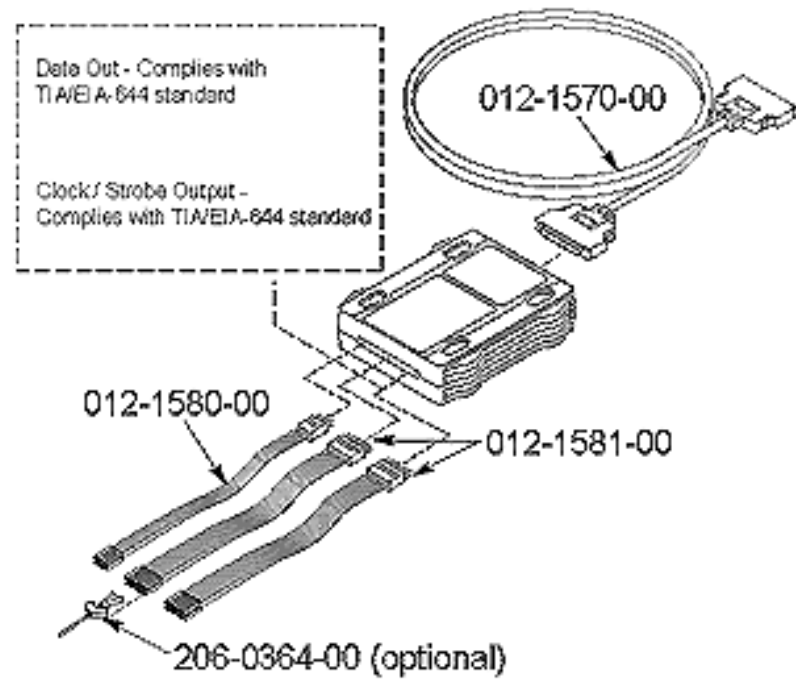
Part Number	Description
012-1581-00	2 each - 8 channel leadsets
012-1580-00	1 each - 5 channel leadset
012-1570-00	(optional - std. with TLA7PG2 module) probe cable
071-0976-00	Pattern Generator Probe User Manual



P6472.

8 Channel PECL/LVPECL Probe and Accessories for TLA7PG2 Pattern Generator Module - Order P6472.

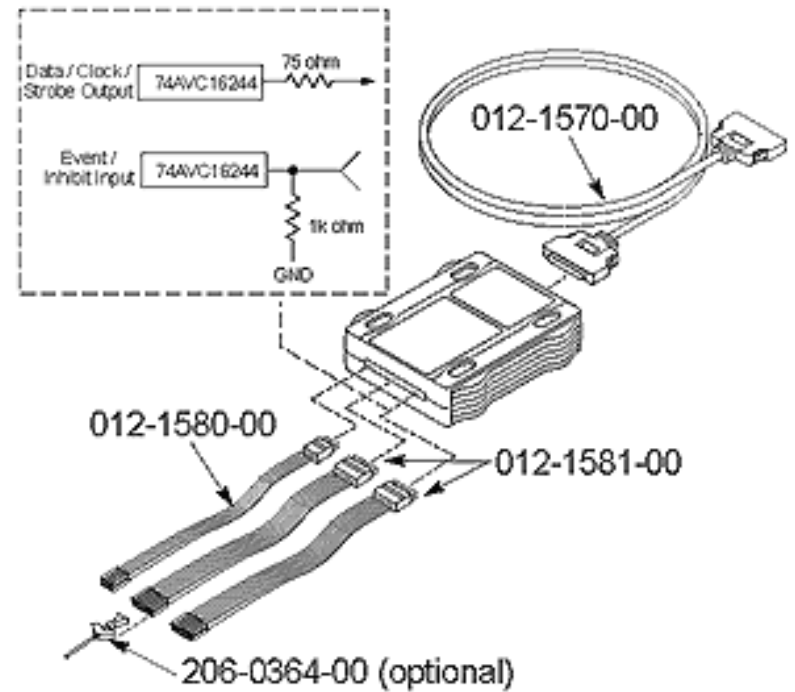
Part Number	Description
012-1581-00	1 each - 8 channel leadset
012-1580-00	1 each - 5 channel leadset
012-1570-00	(optional - std. with TLA7PG2 module) probe cable
071-0976-00	Pattern Generator Probe User Manual



P6473.

**16 Channel LVDS Probe and Accessories for TLA7PG2
Pattern Generator Module - Order P6473.**

Part Number	Description
012-1581-00	2 each - 8 channel leadsets
012-1580-00	1 each - 5 channel leadset
012-1570-00	(optional - std. with TLA7PG2 module) probe cable
071-0976-00	Pattern Generator Probe User Manual



P6474.

16 Channel LVC MOS Probe and Accessories for TLA7PG2 Pattern Generator Module - Order P6474.

Part Number	Description
012-1581-00	2 each - 8 channel leadsets
012-1580-00	1 each - 5 channel leadset
012-1570-00	(optional - std. with TLA7PG2 module) probe cable
071-0976-00	Pattern Generator Probe User Manual

Digitizing Oscilloscope Modules

Includes: Probes, user manual, certificate of calibration, and one-year warranty (return to Tektronix).

TLA7D1 - 2 channel DSO module, 500 MHz bandwidth, 2.5 GS/s sample rate, 15 K depth (includes two P6243 1.0 GHz active FET probes, probe calibration adapter, and manual).

TLA7D2 - 4 channel DSO module, 500 MHz bandwidth, 2.5 GS/s sample rate, 15 K depth (includes four P6243 1.0 GHz active FET probes, probe calibration adapter, and manual).

TLA7E1 - 2 channel DSO module, 1 GHz bandwidth, 5 GS/s sample rate, 15 K depth (includes two P6245 1.5 GHz active

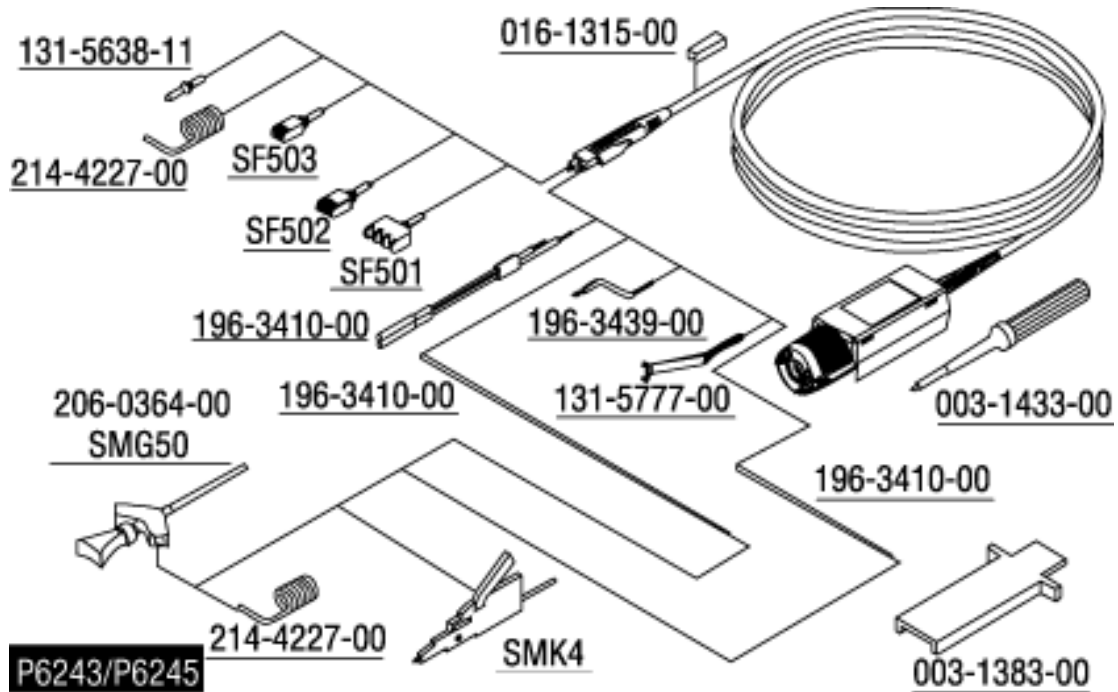
FET probes, probe calibration adapter, and manual).

TLA7E2 - 4 channel DSO module, 1 GHz bandwidth, 5 GS/s sample rate, 15 K depth (includes four P6245 1.5 GHz active FET probes, probe calibration adapter, and manual).

TLA700 Series DSO Module Upgrades

You can install a TLA7Dx/Ex digitizing oscilloscope module into an existing TLA714/720/7XM mainframe. Please refer to the [TLA Family Upgrade Guide](#) for further details.

DSO Module Accessories



P6243 - 1.0 GHz Active FET Probe and accessories, length 1.5 m.

P6245 - 1.5 GHz Active FET Probe and accessories, length 1.5 m.

Part Number	Description
003-1383-00	Compensation box and cover removal tool
003-1433-00	Adjustment tool
016-1315-00	2 each - 5 colors of cable markers
131-5638-10	10 each - solderable probe tips
131-5777-00	100 mil square pin ground adapter
196-3410-00	Ground lead set includes:

N/A	2 each - 1 in., 3 in., 6 in. ground leads w/ square pin receptacle;
N/A	2 each - Y lead adapters
196-3439-00	1 in. ground lead
206-0364-00	SMT KlipChip™, 1 each
214-4227-00	Right angle square pin adapter
SF501	SureFoot® probe tip adapter, pkg. of 12, yellow, 50 mil pitch
SF502	SureFoot probe tip adapter, pkg. of 12, blue, 25 mil/0.65 mm pitch
SF503	SureFoot probe tip adapter, pkg. of 12, red, 0.5 mm pitch
SMG50	SMT KlipChip grabber tip, 20 each
SMK4	Micro KlipChip adapter, 4 each
070-9408-00	P6243 Instruction Manual
070-8995-01	P6245 Instruction Manual

TLA Family Service Options

	TLA6XX	TLA714/720	TLA7XM	TLA7NX/PX/QX	TLA7PG2	TLA7DX/EX
Opt. IN		X	X	X	X	X
Opt. R3	X	X	X	X	X	X
Opt. S1		X	X			
Opt. S3		X	X			
Opt. C3	X	X		X	X	X
Opt. D1	X	X		X	X	X
Opt. D3	X	X		X	X	X

TLA Family Service Options

Opt. IN - Product installation service (on-site configuration and user familiarization; excluding network integration).

Opt. R3 - Extends depot repair warranty service period to three years.

Opt. S1 - Uplifts standard one-year warranty service of mainframe and installed modules to on-site service.

Opt. S3 - Uplifts Opt. C3 and/or R3 of mainframe and installed modules to on-site service (must be ordered with Opt. C3 and/or R3).

Opt. C3 - Three years of Calibration Service (includes initial calibration and two annual calibrations).
Add calibration test data report.

Opt. D1 - Add calibration test data report.

Opt. D3 - Provides test data for each calibration (must be ordered with Opt. C3).

 [Top of Page](#)

TLA Detailed Product Information

[Features](#)

[Specs](#)

> [Ordering Information](#)

[Pricing Information](#)

Additional Resources

 [Printable Format \(6024 kB\)](#)

[Product Summary](#)

[Family Selection Guide](#)

[Family Upgrade Guide](#)

[Request a Quote](#)



Tektronix Measurement products are manufactured in ISO registered facilities.



52W-14255-1Cp1, 08/2000, 05/10/2001