

# R&S®NRX Power Meter

The new power meter generation with modern and intuitive user interface



## The perfect choice for

Easy RF power measurements

Multi-channel measurements

RF pulse analysis

System integration

## Key specifications

Frequency range	DC to 110 GHz (sensor dependent)
Power measurement range	0.1 fW to 30 W (average) (sensor dependent)
Measurements channels	1 to 4
Display size	5"/12.7 cm
Display resolution	800 x 480 pixel (WVGA)
Touch panel	yes
Compatible sensors	R&S®NRPxxS(N)/T(N)/A(N) series R&S®NRP-Zxx series R&S®NRQ6 frequency selective power sensor R&S®NRT-Zxx directional power sensors
Weight	2.35 kg to 2.58 kg (option dependent)

## Key features

- Intuitive operation with touchscreen based GUI
- Supports up to four R&S®NRP and R&S®NRQ6 power sensors
- Supports all sensor-dependent measurement functions
- Optional high-precision CW and pulse mode reference source module
- Optional power reflection measurements with R&S®NRT-Zxx sensors

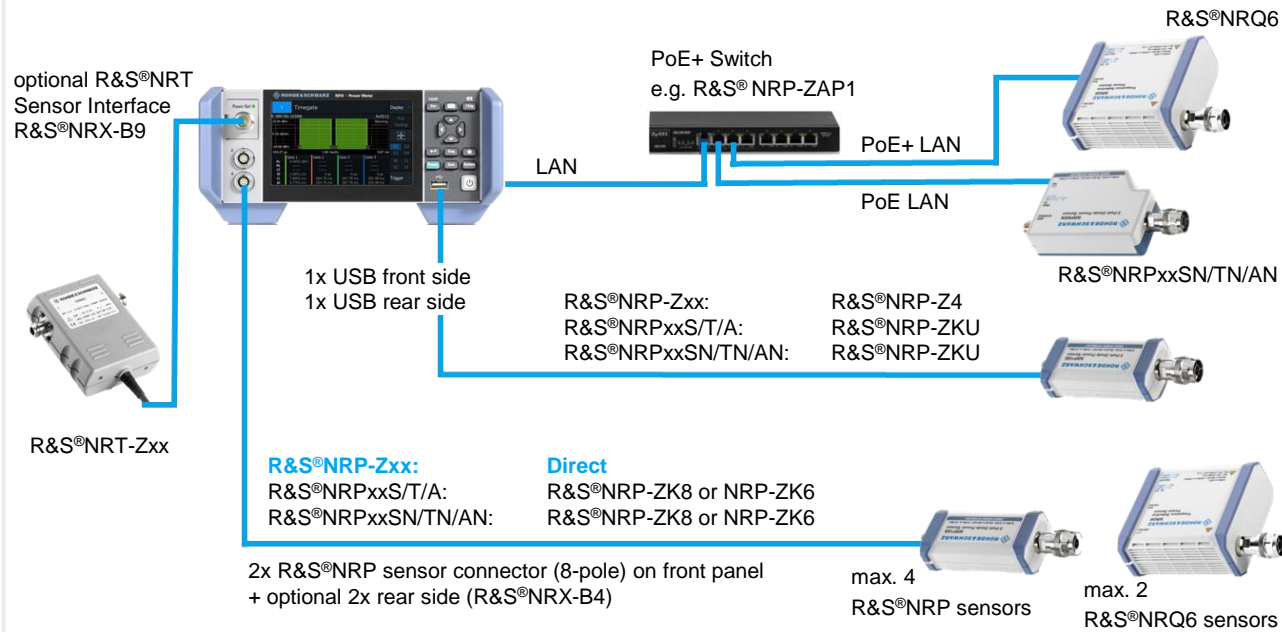
## Your benefit

## Features

Easy to use	<ul style="list-style-type: none"> <li>■ Clear color touchscreen supports the intuitive, window based operating concept.</li> <li>■ Color-coded key parameters and functions can be seen at a glance.</li> <li>■ Results are presented in numerical and graphical display windows that can be easily configured.</li> </ul>
Sensor check source	<ul style="list-style-type: none"> <li>■ Superior pulse reference generator</li> <li>■ Test source for sensors and DUT</li> <li>■ Variable mode (CW/pulse), frequency (50 MHz/1 GHz) and discrete power steps</li> </ul>
All-in-one base unit	<ul style="list-style-type: none"> <li>■ Supports multipath, thermal, wideband and averaging sensors</li> <li>■ Supports frequency selective power sensors</li> <li>■ Supports directional power sensors</li> </ul>

► For more information, visit [www.rohde-schwarz.com/catalog/nrx](http://www.rohde-schwarz.com/catalog/nrx)

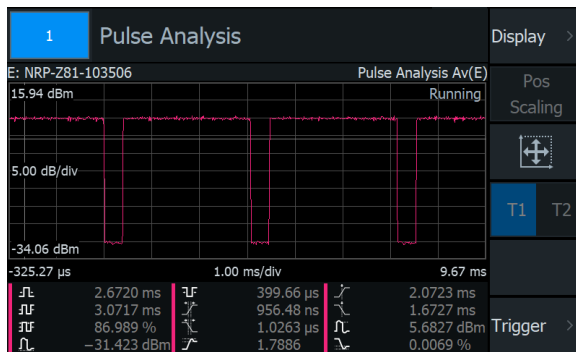
## Universal sensor connectivity



## Ordering information

Base unit	
Power meter	R&S®NRX
Hardware options	
Sensor check source	R&S®NRX-B1
Third (C) and fourth (D) sensor connector for R&S®NRP	R&S®NRX-B4
GPIB/IEEE488 interface	R&S®NRX-B8
Sensor interface for R&S®NRT	R&S®NRX-B9
Software options	
Second measurement channel	R&S®NRX-K2
Third and fourth measurement channel	R&S®NRX-K4
Recommended accessories	
19" rack adapter (for one R&S®NRX power meter and one empty casing)	R&S®ZZA-KNA22
19" rack adapter (for two R&S®NRX power meters)	R&S®ZZA-KNA24
Recommended extras (should be ordered with R&S®NRP power sensors)	
8-pole interface cable, length: 1.50 m	R&S®NRP-ZK8
8-pole interface cable, length: 3.00 m	R&S®NRP-ZK8
8-pole interface cable, length: 5.00 m	R&S®NRP-ZK8

## Automatic pulse analysis



All R&S®NRP-Z8x wideband power sensors allow automatic pulse analysis. Up to 12 of 18 user-selected pulse parameters can be displayed in addition to the measurement trace.

## Flexible device interfacing



Rohde & Schwarz GmbH & Co. KG | Europe, Africa, Middle East +49 89 4129 12345 | North America 1 888 TEST RSA (1 888 837 87 72)

Latin America +1 410 910 79 88 | Asia Pacific +65 65 13 04 88 | China +86 800 810 82 28 / +86 400 650 58 96

[www.rohde-schwarz.com](http://www.rohde-schwarz.com) | [customersupport@rohde-schwarz.com](mailto:customersupport@rohde-schwarz.com)

R&S® is a registered trademark of Rohde & Schwarz GmbH & Co. KG | PD 5215.0092.32 | Version 01.00 | February 2019 (as)

Trade names are trademarks of the owners | R&S®NRX2Power Meter | Data without tolerance limits is not binding

Subject to change | © 2019 Rohde & Schwarz GmbH & Co. KG | 81671 Munich, Germany