

7064



- $<1\mu\text{V}$ contact potential
- 2-pole Form A relays
- Screw terminal connections

Ordering Information

7064 20-Channel Low Voltage Scanner Card

7066



- 2-pole Form A relays
- $<30\mu\text{V}$ contact potential
- Quick disconnect screw terminal connections

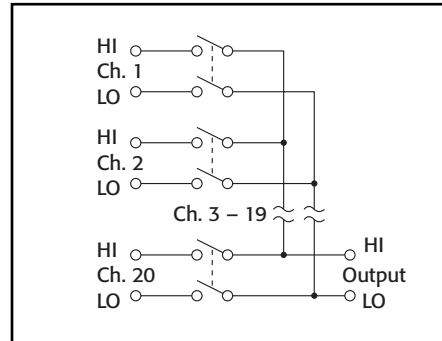
Ordering Information

7066 10-Channel Independent Switch with Screw Terminal Connections

Low Voltage Scanner Card

20-Channel

The Model 7064 has 20 channels and features $<1\mu\text{V}$ thermal offset. It will switch any one of twenty signals to one output or switch one signal to any one of twenty outputs. Switching is accomplished in less than 2ms. Expected relay life (10^8 closures) is obtained when signals less than 10V or 10mA are switched.



CHANNELS PER CARD: 20.

CONTACT CONFIGURATION: 2-pole Form A, common guard connection.

CONNECTOR TYPE: Screw terminal #18AWG maximum wire size.

RELAY DRIVE CURRENT: 14mA per relay typical.

MAXIMUM SIGNAL LEVEL: 40V, 100mA, or 2VA (resistive load only).

CONTACT LIFE: $>10^8$ closures cold switching; $>10^6$ closures at maximum signal levels.

CONTACT RESISTANCE: $<2\Omega$ to rated life.

CONTACT POTENTIAL: $<1\mu\text{V}$ differential voltage, input to output with copper leads ($<200\text{nV}$ typical within 1 minute of actuation).

WARM-UP: 1 hour in mainframe for thermal stability.

ACTUATION TIME: $<2\text{ms}$, exclusive of mainframe.

CHANNEL ISOLATION: $>10^{12}$, $<10\text{pF}$.

INPUT ISOLATION, DIFFERENTIAL: $>10^9\Omega$, $<75\text{pF}$.

INPUT ISOLATION, COMMON MODE: $>10^9\Omega$, $<150\text{pF}$.

COMMON MODE VOLTAGE: $<100\text{V}$ peak.

OPERATING ENVIRONMENT: 0° to 50°C , up to 35°C at 70% RH.

STORAGE ENVIRONMENT: -25°C to 65°C .

10-Channel Isolated Switch Card

10 Independent Switches

The Model 7066 is a non-multiplexed switching card with ten independent and isolated channels. Each channel switches 2-pole Form A relays and can be user changed for either Form B or Form C configuration using jumpers. The switch specifications are well-suited for applications such as power line switching, controlling external circuits and devices, and switching signals where multiplexing is not desired. Each channel is terminated with a screw terminal block that "quick disconnects" from the card.

CHANNELS PER CARD: 10.

CONTACT CONFIGURATION: 2-pole Form A.

CONNECTOR TYPE: Quick disconnect block for each channel. Screw terminals accept #14–#26AWG wire.

RELAY DRIVE CURRENT: 80mA per relay typical.

MAXIMUM SIGNAL LEVEL: 250V DC or rms, 350V peak switched, 2A DC or rms, 60W DC or rms, 60W DC, 125V AC (resistive load).

CONTACT LIFE: $>10^8$ closures cold switching; $>10^6$ closures at maximum ratings.

CONTACT RESISTANCE: $<0.1\Omega$ initial, $<2\Omega$ rated life.

CONTACT POTENTIAL: $<30\mu\text{V}$ per contact pair input to output with copper leads ($<10\mu\text{V}$ typical).

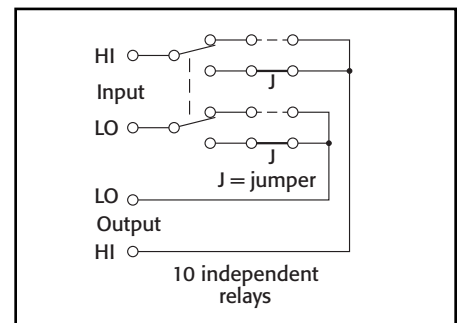
ACTUATION TIME: $<10\text{ms}$, exclusive of mainframe.

CHANNEL ISOLATION: $>10^9\Omega$.

INPUT ISOLATION: $>10^9\Omega$.

COMMON MODE VOLTAGE: 350V peak.

OPERATING ENVIRONMENT: -25° to 65°C .



1.888.KEITHLEY (U.S. only)

www.keithley.com

KEITHLEY