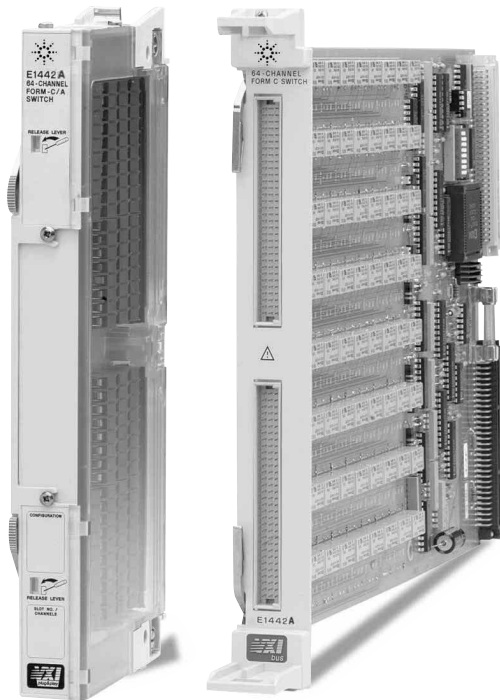


# Agilent E1442A 64-Channel Form C or Form A Switch

## Data Sheet

- 1-Slot, C-size, register based
- Any combination of channels can be closed or opened
- Nonlatching armature relays
- External devices can be actuated
- Includes QUIC easy-to-use terminal block
- Internal buses simplify wiring



Agilent E1442A

### Description

The Agilent E1442A 64-Channel General-Purpose Switch is a **C-size, 1-slot, register-based VXI module** that contains nonlatching Form C type relays. They can be used for device actuation, as digital output modules, or to create flexible signal switching topologies.

Each product has two parts—a component card containing the relays, that plugs into the mainframe, and a removable terminal block that plugs onto the component card. The component card has 64 Form C relays with three independent axial component locations per relay. These locations can be used for jumpers, fuses, or pullup/down and protection resistors. All three relay terminals can be connected through such components to one of three internal buses.

The E1442A terminal block comes standard with solder lugs that allow full access to the Form C (SPDT) capability of the component module relays. Option 020 has a screw terminal block that allows access to the Form A (SPST) contacts only. Option 010 gives you complete Form C connectivity with more customization versatility.

Refer to the Agilent Technologies Website for instrument driver availability and downloading instructions, as well as for recent product updates, if applicable.



**Agilent Technologies**

## Product Specifications

---

### Input

Maximum voltage (C to NC or NO or any terminal-to-chassis):

DC:	150 V
AC rms:	150 V
AC peak:	210 V

Maximum current (noninductive, per switch):

DC:	1 A
AC rms:	1 A

Maximum power:

Per switch:

DC:	40 W
AC:	40 VA

Per module:

DC:	320 W
AC:	320 VA

---

### DC

Maximum thermal offset: 70  $\mu$ V

Closed channel resistance:

Initial:	<1.5 $\Omega$ typical
End of life:	<3.5 $\Omega$

Insulation resistance (between any two points):

$\leq 40^{\circ}\text{C}$ , $\leq 65\%$ RH:	n/a
$\leq 40^{\circ}\text{C}$ , $\leq 95\%$ RH:	>10E7 $\Omega$
$\leq 25^{\circ}\text{C}$ , $\leq 40\%$ RH:	>10E8 $\Omega$

---

### AC

Typical bandwidth (–3 dB): 10 MHz

Crosstalk (dB, channel-to-channel):

<10 kHz:	n/a
<100 kHz:	<–70
<1 MHz:	n/a
<10 MHz:	<–28

Closed Channel Capacitance

Ch-to-ch:	<30 pF
Ch-to-com:	<40 pF

---

### General

Typical relay life (number of operations):

No load: >5x10E6

Rated load: >10E5

Time to close or open a channel (register programming): 13 ms

Connector type, wire size:

Standard: 2 DIN-Cs with solder lugs Opt 010: solder eyes

Screw:  $\geq 18$  AWG (1.2 mm), Opt 020

Power up/down states: All open, i.e., nonlatching

---

### Terminal Block

Connection types:

Standard: Solder lug connectors

E1442A with Opt 010:

Replaces standard terminal block with provision to add dual 96-pin DIN-C connectors or solder wires directly to terminal block pc board, 0.055 moh holes, 20 AWG max. recommended.

E1442A with Opt 020:

Replaces standard terminal block with screw terminals for com and no contacts only, 16 AWG (1.5 mm) max.

## General Specifications

### VXI Characteristics

<b>VXI device type:</b>	Register based, A16, slave only
<b>Size:</b>	C
<b>Slots:</b>	1
<b>Connectors:</b>	P1/2
<b>Shared memory:</b>	None
<b>VXI busses:</b>	None
<b>C-size compatibility:</b>	n/a

### Instrument Drivers

See the *Agilent Technologies Website* ([http://www.agilent.com/find/inst\\_drivers](http://www.agilent.com/find/inst_drivers)) for driver availability and downloading.

<b>Command module firmware:</b>	Downloadable
<b>Command module firmware rev:</b>	A.06
<b>I-SCPI Win 3.1:</b>	Yes
<b>I-SCPI Series 700:</b>	Yes
<b>C-SCPI LynxOS:</b>	Yes
<b>C-SCPI Series 700:</b>	Yes
<b>Panel Drivers:</b>	Yes
<b>VXIplug&amp;play Win Framework:</b>	Yes
<b>VXIplug&amp;play Win 95/NT Framework:</b>	Yes
<b>VXIplug&amp;play HP-UX Framework:</b>	No

### Module Current

	$I_{PM}$	$I_{PM}$
+5 V:	0.1	0.11
+12 V:	0	0
-12 V:	0	0
+24 V:	0	0
-24 V:	0	0
-5.2 V:	0	0
-2 V:	0	0

### Cooling/Slot

<b>Watts/slot:</b>	5.00
<b><math>\Delta P</math> mm H<sub>2</sub>O:</b>	0.15
<b>Air flow liter/s:</b>	0.42

## Ordering Information

Description	Product No.
64-Channel Form C/A Switch w/QUIC Interface	E1442A
Form C Switch, QUIC interface, solder terminal block with pull-up/pull-down resistor dividers	E1442A 010
Form A Switch, QUIC interface, screw terminal block	E1442A 020
Same as standard E1442A except replaces QUIC interface with "old style" terminal block and front panel	E1442A 106
Same as E1442A Option 010 except replaces QUIC interface with "old style" terminal block and front panel	E1442A 116
Same as E1442A Option 020 except replaces QUIC interface with "old style" terminal block and front panel	E1442A 126
Service Manual	E1442A 0B3

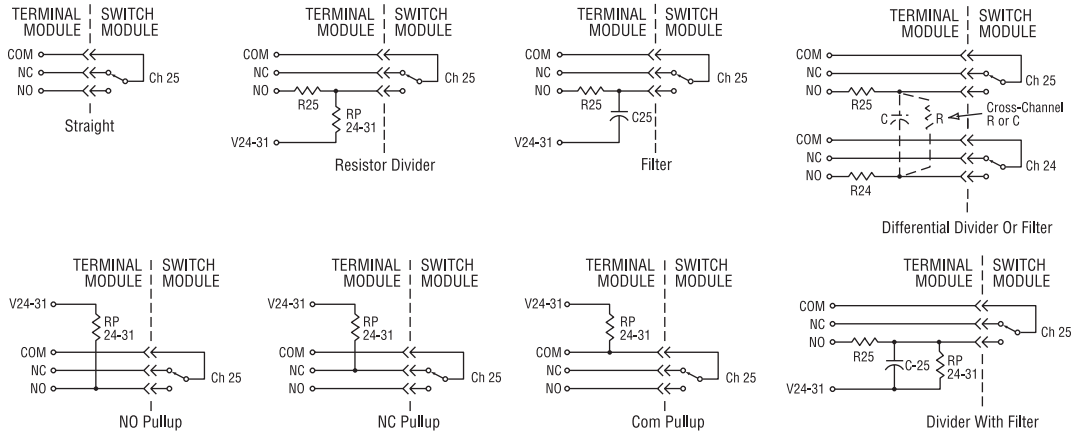
### Ordering Instructions

If you want...

- a Form C switch, QUIC interface and solder terminal block, please order the E1442A.
- a Form C switch, QUIC interface and solder terminal block with pull up/pull down resistive divider, order the E1442A with Option 010.
- a Form A switch, QUIC interface and screw terminal block, order the E1442A with Option 020.

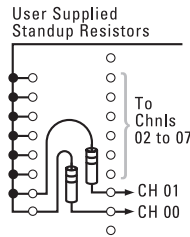
### Note:

- The E1442A Option 106 is the same as the standard E1442A, but with the "old style" terminal block & front panel.
- The E1442A Option 116 is the same as the E1442A Opt. 010, but with the "old style" terminal block & front panel.
- The E1442A Option 126 is the same as the E1442A Option 020, but with the "old style" terminal block & front panel.
- There is not an option to order pull up/pull down resistive dividers with the Form A option, and there is not an option to order Form C with screw terminal block.

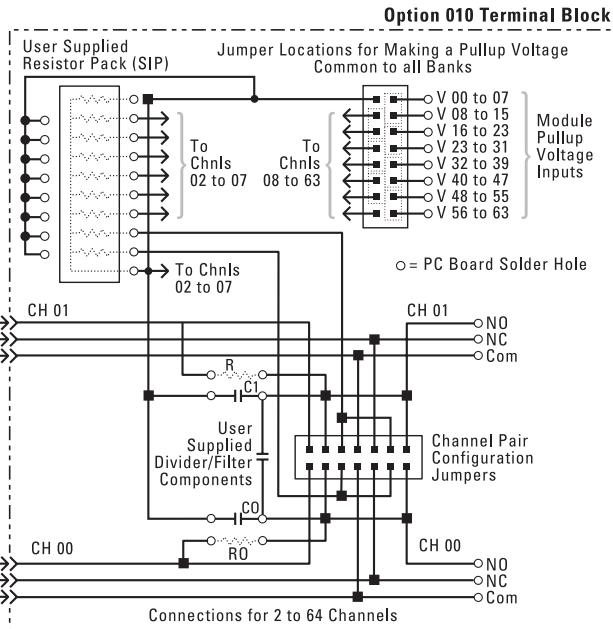


**Option 010 Connection Examples**

**E1442A Option 010 Circuit Diagram**

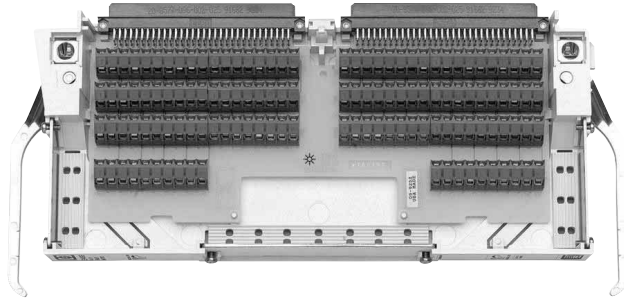


Component Module Channels

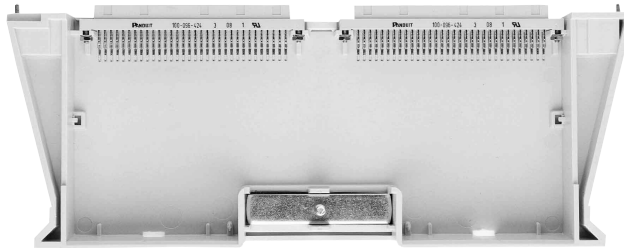


Note: User Supplied Pullup resistors can be either  
a) Discrete Standup or b) Resistor Pack

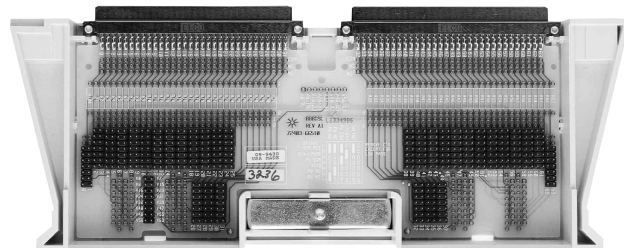
**Agilent E1442A Option 010 Block Diagram**



**Agilent E1442A Option 020 Terminal Block: Form A Configuration with screw terminals and QUIC interface.**

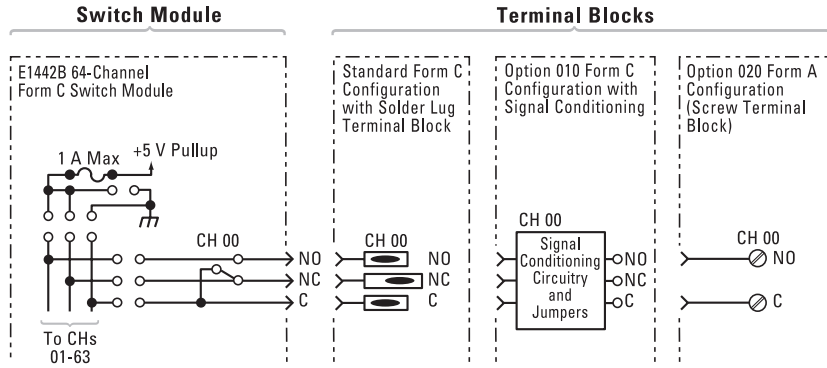


**Agilent E1442A Option 106 Terminal Block: Form C Configuration with solder lugs and "old style" interface.**



**Agilent E1442A Option 116 Terminal Block: Form C Configuration with solder terminal block with pull up/pull down resistors and "old style" interface.**

## E1442A Block Diagram



Agilent E1442A Block Diagram

## Related Literature

*2000 Test System and VXI Catalog CD-ROM*,  
Agilent Pub. No. 5980-0308E (detailed specifications for VXI products)

*2000 Test System and VXI Catalog*,  
Agilent Pub. No. 5980-0307E (overview of VXI products )

*1998 Test System and VXI Products Data Book*,  
Agilent Pub. No. 5966-2812E

## Online

Internet access for Agilent product information, services and support  
[www.agilent.com/find/tmdir](http://www.agilent.com/find/tmdir)

VXI product information  
[www.agilent.com/find/vxi](http://www.agilent.com/find/vxi)

Defense Electronics Applications  
[www.agilent.com/find/defense\\_ATE](http://www.agilent.com/find/defense_ATE)

Agilent Technologies VXI Channel Partners  
[www.agilent.com/find/vxichanpart](http://www.agilent.com/find/vxichanpart)

Agilent Technologies' HP VEE Application Website  
[www.agilent.com/find/vee](http://www.agilent.com/find/vee)

Agilent Technologies Data Acquisition and Control Website  
[www.agilent.com/find/data\\_acq](http://www.agilent.com/find/data_acq)

Agilent Technologies Instrument Driver Downloads  
[www.agilent.com/find/inst\\_drivers](http://www.agilent.com/find/inst_drivers)

Agilent Technologies Electronics Manufacturing Test Solutions  
[www.agilent.com/go/manufacturing](http://www.agilent.com/go/manufacturing)

**Get assistance with all your test and measurement needs at**  
[www.agilent.com/find/assist](http://www.agilent.com/find/assist)  
**or check your local phone book for the Agilent office**  
**near you.**

## Agilent Technologies' test and measurement service/support commitment

Agilent strives to maximize the value our test and measurement products give you, while minimizing your risk and service/support problems. We work to ensure that each product is realistically described in the literature, meets its stated performance and functionality, has a clearly stated global warranty, and is supported at least five years beyond its production life. Our extensive self-help tools include many online resources ([www.agilent.com](http://www.agilent.com)).

Experienced Agilent test engineers throughout the world offer practical recommendations for product evaluation and selection. After you purchase an Agilent product, they can provide no-charge assistance with operation verification and basic measurement setups for advertised capabilities. To enhance the features, performance, and flexibility of your test and measurement products—and to help you solve application challenges—Agilent offers free or extra-cost product options and upgrades, and sell expert engineering, calibration, and other consulting services.

## Phone or Fax

**United States:**  
(tel) 1 800 829 4444

**Canada:**  
(tel) 1 877 894 4414  
(fax) (905) 282 6495

**China:**  
(tel) 800 810 0189  
(fax) 800 820 2816

**Europe:**  
(tel) (31 20) 547 2323  
(fax) (31 20) 547 2390

**Japan:**  
(tel) (81) 426 56 7832  
(fax) (81) 426 56 7840

**Korea:**  
(tel) (82 2) 2004 5004  
(fax) (82 2) 2004 5115

**Latin America:**  
(tel) (305) 269 7500  
(fax) (305) 269 7599

**Taiwan:**  
(tel) 0800 047 866  
(fax) 0800 286 331

**Other Asia Pacific Countries:**  
(tel) (65) 6375 8100  
(fax) (65) 6836 0252  
(e-mail) [tm\\_asia@agilent.com](mailto:tm_asia@agilent.com)

Data Subject to Change  
© Agilent Technologies, Inc. 2000  
Printed in the U.S.A. May 1, 2004  
5965-5588E