
Specifications

The specifications are the performance standards against which the product is tested. There are no specifications for the HP 16500B or the HP 16501A.

Characteristics

These characteristics are not specifications, but are included as additional information. The following characteristics are typical for the HP 16500B/16501A system.

Hard Disk Drive	Capacity 86 Mbyte unformatted; Formatted as a Microsoft DOS disk drive IDE Interface Bus.
Flexible Disk Drive	Capacity 1.44 Mbyte formatted Microsoft DOS or LIF supported.
Programmability	Instrument settings and operating modes, including automatic measurements, may be remotely programmed via RS-232C, HP-IB (IEEE-488), or optional HP 16500L (Ethernet).
Hardcopy Output	<p>Printers Supported HP ThinkJet, HP QuietJet, HP LaserJet, HP PaintJet, HP Deskjet, HP Deskjet C, Epson and Epson-compatible (for example, Epson FX-80) via RS-232C or HP-IB.</p> <p>RS-232C Configurations Protocols: XON/XOFF, Hardware; Data bits: 8; Stop bits: 1, 1 1/2, 2; Parity: none, odd, or even; Baud rates: 110, 300, 600, 1200, 2400, 4800, 9600, 19200.</p> <p>HP-IB Interface Functions SH1, AH1, T5, TE0, L3, LE0, SR1, RL1, PP1, DC1, DT1, C0 and E2.</p>
Input/Output Rear Panel BNCs:	<p>Port-in User selectable: TTL, ECL or user defined; $Z_{in} = 4\text{ k}\Omega$; Maximum $V_{in} = -6.0\text{ V}$ at 1.5 mA to +6 V at 1.6 mA.</p> <p>Port-out Output signal is active high, TTL output level, high $> 2\text{ V}$ into $50\ \Omega$, low $< 0.4\text{ V}$ into $50\ \Omega$.</p>
Intermodule Bus (IMB) Characteristics	<p>Run Control Oscilloscope, timing, state, and pattern generation can be armed by Group Run. Modules can run concurrently or be armed in series. Each module can arm one or more modules.</p> <p>Mixed Display Mode Any timing or oscilloscope waveform displays can be mixed. State listings can be included with waveforms in the State/Timing Mixed Mode display.</p> <p>Acquiring Data for Mixed Displays To obtain a mixed display, multiple modules must be armed through the IMB. To include state listings in mixed mode displays, state time tagging must be on.</p>

Characteristics

Time Interval Accuracy Between Modules Equals the sum of the channel-to-channel time interval accuracies of each module used in the measurement, for a deskewed measurement.

Time Correlation Resolution 2 ns (500 MHz).

Operating Environment

Temperature

Instrument 0 °C to 50 °C (+32 °F to 122 °F).

Disk Media 10 °C to 40 °C (+50 °F to 104 °F).

Probes and Cables 0 °C to 65 °C (+32 °F to 149 °F).

Humidity

Instrument up to 95% relative humidity at 40 °C (104 °F).

Disk media and hard drive 8% to 80% relative humidity at 40 °C (104 °F).

Altitude Up to 4600 m (15 000 ft). Hard drive to 300 m (10,000 ft.).

Vibration

Operating Random vibration 5-500Hz, 10 minutes per axis, ~ 2.41 g (rms).

Non-operating Random vibration 5-500Hz, 10 minutes per axis, ~ 2.4 g (rms); and swept sine resonant search, 5-500Hz, 0.75g (0-peak), 5 minute dwell at 4 resonances per axis.

Weight

HP 16500B

Net 18.1 kg (40 lbs) + [0.7 kg (1.6 lbs) x number of optional cards installed].

Shipping 25.9 kg (57 lbs) + [3.6 kg (8 lbs) x number of optional cards installed].

HP 16501A

Net 12.2 kg (27 lbs) + [0.7 kg (1.6 lbs) x number of optional cards installed].

Shipping 19.9 kg (44 lbs) + [3.6 kg (8 lbs) x number of optional cards installed].

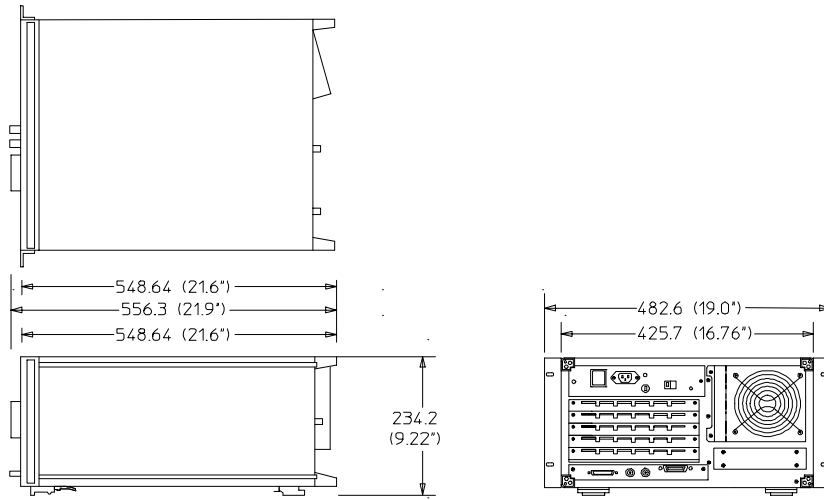
Power Requirements

HP 16500B 115 V/230 V, -22% to +10%, 48 to 66 Hz, 475 W max.

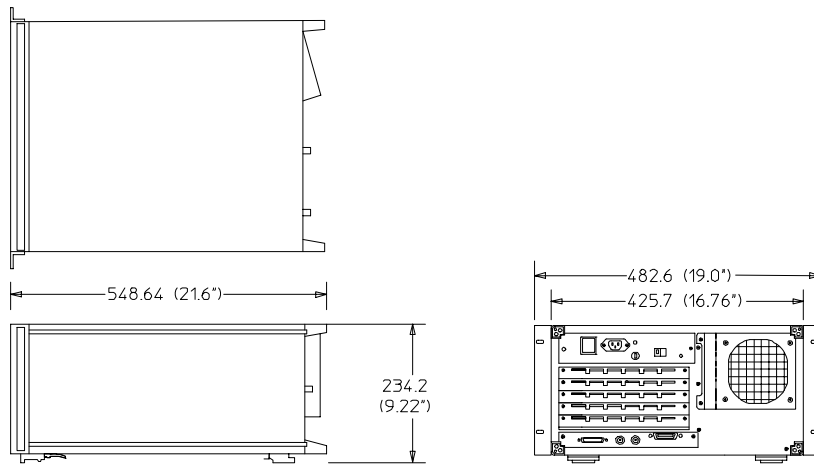
HP 16501A 115 V/230 V, -22% to +10%, 48 to 66 Hz, 420 W max.

Dimensions

Refer to the following figure for dimensional detail.



HP 16500B



HP 16501A

16500E52

Dimensional Detail

Recommended Test Equipment

Equipment Required

Equipment	Critical Specifications	Recommended Model/Part	Use*
Oscilloscope	100 MHz Bandwidth	HP 54600A	T
Voltmeter		HP 3478A	T
RS-232C Loopback Connector		HP Part Number 01650-63202	T

*A = Adjustment P = Performance Tests T = Troubleshooting