

The 6200B combines the key microwave instruments for scalar network measurements, power and frequency measurements in a compact and portable product



- **Precision Scalar Network measurements**
- **Integral Frequency Counter and Power Meter**
- **Real time Fault Location with 0.1% accuracy**
- **Economical, compact and portable**
- **2 GHz, 8 GHz, 20 GHz, 26.5 GHz and 46 GHz versions**
- **Synthesized signal source with optional step attenuator**
- **3.5 in disk drive for results storage**
- **Dynamic calibrator and EEPROM corrected detectors for accurate measurements**
- **6210 Reflection Analyzer for precision reflection coefficient and time domain measurements**

The 6200B series RF and Microwave Test Sets (MTS) are an innovative range of instruments. An MTS combines the key microwave instruments for scalar network measurements, power and frequency measurements into a compact and portable product. Powerful fault location software adds the ability to measure return loss (VSWR) against distance to speed up fault identification on coaxial or waveguide transmission lines.

Integration offers many benefits over an assembly of discrete instruments. A single user interface makes operation faster and simpler. Measurements can be configured and changed

quickly as fewer instrument connections are necessary. A single display can show a multitude of parameters making results viewing easier, and more reliable. Capital costs are reduced as the MTS provides an economical way of providing a comprehensive test solution.

Targeted Frequency Versions

Five versions of the MTS are available so that users can select the unit that exactly matches their requirements. The 6202B RF Test Set covers 10 MHz to 2 GHz and is ideal for manufacturers of components for the mobile communications industry. Its light weight and small size also make 6202B the ideal instrument for field engineers installing and maintaining mobile radio antenna and antenna feeders.

8 GHz, 20 GHz and 26.5 GHz versions are available for users in the major microwave bands. A 46 GHz instrument is provided for those users working on the increasingly important millimetric bands. A comprehensive range of accessories is available to support each of these units.

Development

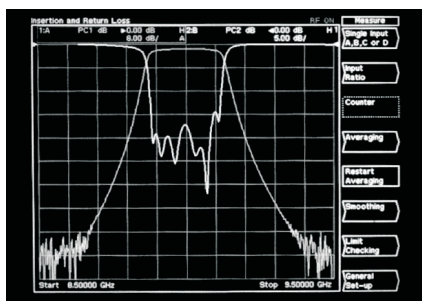
The flexibility and accuracy of the 6200B series MTS make it an excellent instrument for the development engineer. A synthesized signal source with 1 Hz resolution can be used as both a CW source or synthesized sweep generator. A new OCXO frequency standard provides high stability frequency settings and measurements. New 6230A/L series scalar detectors with EEPROM correction and a new dynamic calibrator give power meter accuracy even during swept frequency measurements. The dynamic calibrator in the 6200B characterizes the detector linearity enabling precision insertion loss measurements.

An integral voltage/current source can be used to bias devices such as PIN diodes or to provide a swept voltage stimulus for characterizing VCO's. The integral frequency counter of the MTS allows the unique graphical display of frequency as a function of swept voltage.

The integrated nature of the 6200B series means that a wide range of devices can be characterized with a single test instrument, reducing bench clutter.

For engineers who demand the best possible accuracy when measuring

reflection coefficient, the addition of a 6210 Reflection Analyzer to a standard 6200B series MTS provides error corrected measurement of reflection coefficient (S^{11}). 6210 also gives Smith Chart displays and Time Domain measurements as standard.



Production

6200B series MTS reduces production test time, simplifies the generation of test methods and test programs, at a reduced capital cost.

All aspects of the 6200B can be controlled through the GPIB, IEEE 488.2, interface. Space requirement in a test rack is reduced due to the small volume of the MTS.

The improved scalar network analyzer performance of the 6200B series means that production stand-offs can be reduced resulting in greater production yield.

A macro facility automates and customizes many measurement procedures. Repetitive test methods can be stored into memory along with production limits and operator prompts. Branching and looping within macros means that test methods can allow for device tuning and adjustment. An external keyboard can be connected via a standard keyboard interface to simplify macro editing and generation of operator instructions.

Operator errors are reduced due to the simplified nature of the test set up. New test methods are quickly learned as only one instrument is necessary to test a wide variety of devices.

Installation and Maintenance

The integrity of modern communication systems depends upon a correctly installed and well maintained radio network. Microwave links, satellite earth stations and RF communications networks such as analog and digital cellular radio all require antennas and antenna feeders. Maintaining the performance of the antenna and its feed is essential for reliable communications.

6200B series MTS measures the return loss (sometimes measured in terms of VSWR) and insertion loss of antennas and feeders. In the event of an out of specification return loss measurement the MTS can perform a fault location measurement. This gives a display of return loss (or VSWR) against distance, pinpointing the position of all causes of reflection in the antenna and feeder. From this display the field engineer can quickly identify the component or position along the transmission line at fault and expedite a repair.

The new 6240 series Fault Locators offer a small ruggedized solution for the measurement of return loss and fault location. Both measurements can be made simultaneously from a single test port speeding up and simplifying the characterisation of antennas and antenna feeders. A guided measurements application leads the test engineer through the most common field measurements. The application assists in setting up and calibrating the measurement through a series of operator prompts and on screen diagrams. This results in fast, accurate and repeatable measurements.

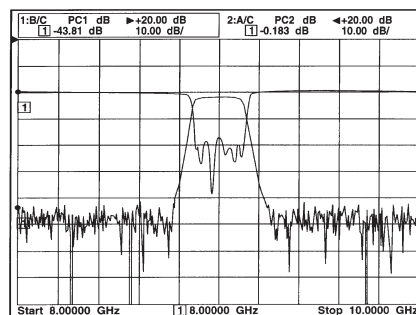
APPLICATIONS

Insertion Loss and Return Loss Measurement Using a Reference Channel

The diagram shows the basic set up to measure insertion loss and return loss for common components such as filters and attenuators using an autotester and detectors. A 6230A series detector will give over 70 dB dynamic range for insertion loss measurements. Use of an autotester provides wide frequency bandwidth coupled with excellent directivity for precise return loss measurements.

In this set up a power splitter is used to monitor the power close to the measurement port. This is especially important when a cable is used between the source output and the autotester input. The reference channel reduces the effects of the error due to source match which is seen as a ripple superimposed on the measurement.

Any variations in the DUT input level are measured by the reference channel and the MTS compensates for the variation by ratioing the reference signal with the reflected and transmitted signal measurements. This reduces mismatch ripples caused by multiple reflections. The 6230L series detectors are ideal for the measurement of low loss devices such as semi-rigid coaxial cables or inband filters. This is because the excellent input VSWR of the 6230L series detectors minimizes mismatch between the DUT and the detector.



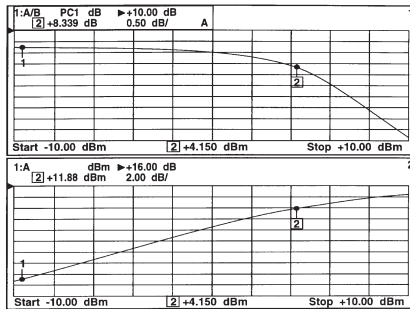
Filter measurement with live reference

Amplifier Gain Compression Measurement

This measurement set up can be used to determine the power handling capacity of an amplifier. This is achieved by measuring the 1 dB compression point of an amplifier. Detector B is configured to monitor the incident power to the amplifier while detector A measures the output power. The 6230L series detectors are recommended due to their power handling capability and accuracy. A coupler is used to sense the incident power, so that most of the

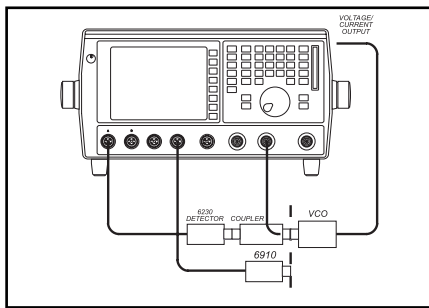
available power from the source can be used to drive the amplifier into compression.

A special gain compression application enables the 6200B series MTS to measure the gain compression of an amplifier against frequency. The gain compression application generates this display quickly and easily with minimal user interaction, completing a 401 frequency point measurement typically in under 30 seconds. This application is especially useful in the design and production of broadband amplifiers.

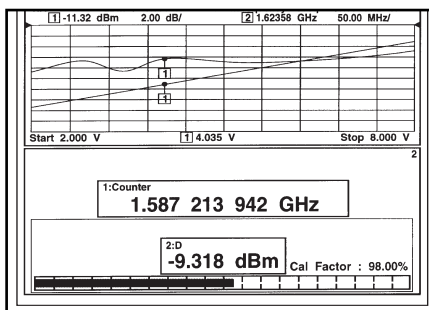


Amplifier gain compression test, showing normalized gain (top) and output power (bottom) of amplifier

VCO Characterization

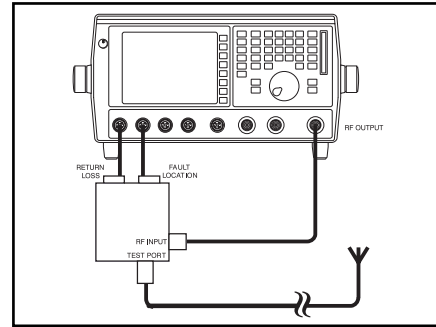


The diagram shows the set up required to characterize a voltage controlled oscillator (VCO). This is achieved by determining the maximum and minimum frequencies of operation, the frequency linearity and measuring the output power against tuning voltage of the device. The unique capability of the 6200B series MTS to measure frequency against tuning voltage of a VCO speeds up production test and reduces bench clutter.

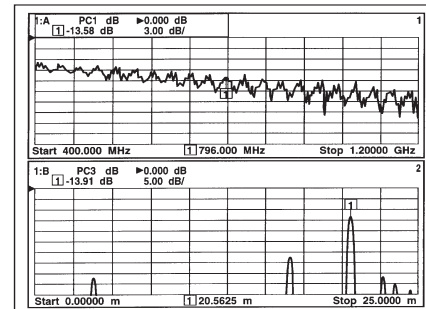


VCO swept voltage characteristics, showing output power and frequency against tuning voltage

Simultaneous Return Loss and Fault Location Measurement



The diagram shows the set up used to make a simultaneous return loss and fault location measurement. A typical application would be to measure the performance of an antenna and antenna feeder, coaxial or waveguide. New RF communications systems, such as analog and digital cellular radio networks, and standard microwave links can have antenna feeds up to 100 metres long. Good system performance is dependent on a correctly installed and maintained antenna and antenna feeder. The fault locator measures both fault location and return loss from a single test port. It is small and lightweight and therefore ideal for field use. Both measurements can be displayed simultaneously using the dual channel mode on the MTS as shown below.



Specification

SCALAR ANALYZER

NUMBER OF INPUTS - Four (A, B, C and D)

DETECTION MODES - AC and DC

DYNAMIC RANGE

AC detection 80 dB (-60 to +20 dBm, 623XA),
(-54 to +26 dBm, 623XL)

85 dB typical (-65 to +20 dBm, 623XA),
(-59 to +26 dBm, 623XL)

DC detection 70 dB (-50 to +20 dBm, 623XA),
(-44 to +26 dBm, 623XL)

MEASUREMENT POINTS - User selectable from 2 to 1601

NUMBER OF CHANNELS

Two channels, two measurements may be made per channel allowing a total of four simultaneous measurements

SWEEP TIME

Settable Range - 40 ms to 500 s

Measurement Times

401 points	<200 ms
1601 points	<800 ms

DIRECT VOLTAGE INPUT RANGE

Input A, B and C	0 V to -4.5 V or 0 V to +4.5 V
Input D	0 V to -9 V or 0 V to +9 V
(Depending on accessory cable used)	
(Always displayed as negative value)	

NOISE REDUCTION

Averaging

1 to 1000 (applied per measurement)

Smoothing

Aperture settable from 0.01 to 20% of span, resolution 0.01%

CALIBRATION

Path Calibration (Normalization) Types

Through, short/open, short, open

INSTRUMENTATION ACCURACY - $< \pm 0.05\%$

SYSTEM ACCURACY

Refer to individual specifications for Detectors and Return Loss Bridges

DYNAMIC CALIBRATION

When calibrating 6230A series steps between -30 dBm to +20 dBm
When calibrating 6230L series steps between -24 dBm to +26 dBm
Note:- For frequency specification refer to Power Reference section

Output Connector

N(f), 50 Ω (Adapter supplied with 6203B and 6204B for use with 3.5 mm and 2.92 mm detectors)

SYNTHESIZED SWEEP GENERATOR

FREQUENCY

Range

6200B	10 MHz to 20 GHz
6201B	10 MHz to 8 GHz
6202B	10 MHz to 2 GHz
6203B	10 MHz to 26.5 GHz
6204B	10 MHz to 46 GHz

Resolution

0.01 to 26.5 GHz	1 Hz
26.5 GHz to 46 GHz	2 Hz

CW Accuracy

$< \pm 50$ Hz \pm Frequency standard accuracy to 26.5 GHz
 $< \pm 100$ Hz \pm Frequency standard accuracy to 46 GHz

Typical Swept Accuracy

Step Time	Frequency	
	Up to 2 GHz	>2 GHz
250 μ s	<5 kHz	<100 kHz
1 ms	<500 Hz	<1.5 kHz
10 ms	<50 Hz	<50 Hz

POWER

6200B/6201B/6202B/6203B standard

Frequency range (GHz)	Power-levelled (dBm)	
	Guaranteed	Maximum typical
0.01 to 2	-10 to +7	+11
2 to 8	-10 to +6	+8
8 to 18	-10 to +5	+10
18 to 20	-10 to +5	+8
20 to 26.5	-10 to +4	+8

6204B standard

Frequency range (GHz)	Power-levelled (dBm)	
	Guaranteed	Maximum typical
0.01 to 2	-10 to +6	+10
2 to 8	-10 to +5	+8
8 to 18	-10 to +5	+8
18 to 20	-10 to +5	+6
20 to 26.5	-10 to +3	+6
26.5 to 40	-10 to 0	+2
40 to 46	-10 to -3	-1

620XB + Opt.001, 009 (step attenuator)

Frequency range (GHz)	Power-levelled (dBm)	
	Guaranteed	Maximum typical
0.01 to 2	+5	+9
2 to 8	+4	+6
8 to 18	+3	+7
18 to 20	+2	+5
20 to 26.5	+1	+4
26.5 to 40	-2	+1

For option 001 minimum levelled power -80 dBm

For option 009 minimum levelled power -100 dBm

For option 002 (Field replaceable RF connector) guaranteed output is reduced by 0.5 dB.

Settable Power Range

620XB Standard	-20 dBm to +20 dBm
620XB + option 001	-90 dBm to +20 dBm
620XB + option 009	-110 dBm to +20 dBm

Resolution - 0.01 dB

Power Sweep Range - (From maximum levelled power)

620XB Standard	
0.01 to 26.5 GHz	>25 dB
26.5 GHz to 40 GHz	>10 dB
40 to 46 GHz	>7 dB typical
620XB + option 001	>80 dB
620XB + option 009	>100 dB

INTERNAL LEVELLING

Accuracy (including flatness at 0 dBm)

All Standard Versions and Option 002 if Fitted	
0.01 to 26.5 GHz	$< \pm 1$ dB, ± 0.5 dB typical
26.5 to 40 GHz	$< \pm 1.5$ dB, ± 0.7 dB typical
40 to 46 GHz	$< \pm 3.0$ dB typical

Linearity - $< \pm 0.5$ dB over guaranteed levelled power range

620XB with option 001, 009 (including option 002 if fitted)
 10 MHz to 8 GHz $< \pm 1$ dB (± 0.3 dB or $\pm 2\%$ of attenuator setting in dB, whichever is greater)
 8 GHz to 26.5 GHz $< \pm 1$ dB (± 1 dB or $\pm 4\%$ of attenuator setting in dB, whichever is greater)
 26.5 GHz to 40 GHz $< \pm 1.5$ dB (± 1 dB or $\pm 4\%$ of attenuator setting in dB, whichever is greater)

EXTERNAL LEVELLING

Via rear panel BNC input socket.
 Accepts signals from a detector (positive or negative) or from the analog output of a power meter (0 to ± 1 V)
 Accuracy depends on levelling technique.

SIGNAL PURITY

Harmonics

0.01 to 2 GHz < -27 dBc, -35 dBc typical
 2 to 8 GHz < -35 dBc, -40 dBc typical
 8 to 26.5 GHz < -40 dBc, -50 dBc typical
 26.5 to 40 GHz < -20 dBc typical

Sub-Harmonics

2 to 26.5 GHz None
 26.5 to 40 GHz < -40 dBc typical

Spurious Signals (Typical)

	30 kHz to 150 kHz	150 kHz to 1 MHz	>1 MHz
0.01 to 2 GHz	< -50 dBc	< -60 dBc	< -60 dBc
2 to 8 GHz	< -50 dBc	< -50 dBc	< -60 dBc
8 to 26.5 GHz	< -50 dBc	< -60 dBc	< -60 dBc
26.5 to 40 GHz	< -40 dBc	< -50 dBc	< -50 dBc

Phase Noise

Typical values measured in 1 Hz bandwidth at 20 kHz offset from the carrier in CW mode

0.01 to 2 GHz < -90 dBc/Hz
 2 to 8 GHz < -78 dBc/Hz
 8 to 12 GHz < -74 dBc/Hz
 12 to 20 GHz < -70 dBc/Hz
 20 to 26.5 GHz < -67 dBc/Hz
 26.5 to 40 GHz < -57 dBc/Hz

Residual FM

In 100 kHz bandwidth in CW mode

0.01 to 2 GHz < 1 kHz peak
 2 to 26.5 GHz $< (500 \times f)$ Hz peak
 26.5 to 46 GHz $< (1000 \times f)$ Hz peak
 where f is the frequency in GHz

OUTPUT CONNECTOR

6200B/6201B/6202B Precision N (female), 50 Ω
 6203B MPC (IFR Precision Connector) 3.5 mm (female), 50 Ω
 6204B Precision 2.92 mm (female), 50 Ω
 Option 002 Field replaceable, 50 Ω precision 3.5 mm (female) and N-type (female) - not for 6204B

Reverse Input Power

100 mW maximum

Source Match (Internally Levelled)

With option 001, 009 minimum return loss specification degrades by up to 5 dB.
 With option 002 minimum return loss specification degrades by up to 3 dB

6200B/6201B/6202B/6203B

Frequency Range (GHz)	VSWR	Return Loss (dB)	
		Minimum	Typical
0.01 to 0.05	$< 1.45:1$	> 15	> 17
0.05 to 2	$< 1.11:1$	> 26	> 33
2 to 8	$< 1.2:1$	> 21	> 30
8 to 12	$< 1.35:1$	> 16.5	> 25
12 to 26.5	$< 1.45:1$	> 15	> 20

6204B

0.01 to 40	$< 1.93:1$	> 10	> 12
40 to 46			> 10

VOLTS/GHz

Voltage proportional to frequency available from rear panel BNC Voltage/Current output.
 Range 1 V/GHz or 0.5 V/GHz selectable (20 V maximum in 1 V/GHz mode).
 Linearity ± 15 mV.

FIXED RAMP

0 to 10 volt ramp corresponding to frequency start and stop

FAULT LOCATION

DISTANCE

Units - Metres or feet
 Accuracy - $< 0.1\%$ of range or 3 mm, whichever is the larger (for a single fault up to 1 km range)
 Full Scale - Up to 25 km depending on cable or waveguide loss

Minimum Resolution

For two equal amplitude discontinuities using maximum sweep width
 6200B $1.82 \times Vr$ cm
 6201B $4.54 \times Vr$ cm
 6202B $18.28 \times Vr$ cm
 6203B $1.37 \times Vr$ cm
 6204B $0.91 \times Vr$ cm
 Where Vr is the relative velocity of the transmission line

DYNAMIC RANGE

Detection	Frequency	
	to 26.5 GHz	26.5 to 40 GHz
AC	80 dB	> 40 dB typical
DC	70 dB	> 40 dB typical

MEASUREMENT TIME (401 POINTS)

Normal mode < 250 ms
 Enhanced mode < 500 ms

NUMBER OF MEASUREMENT POINTS

User selectable from 51 to 1024

POWER METER

FREQUENCY RANGE

30 kHz to 46 GHz, dependent upon sensor used

POWER RANGE

-65 dBm (300 pW) to +35 dBm (3 W), dependent upon sensor used

INSTRUMENTATION ACCURACY

< ±0.05%

CORRECTION

Calibrator Factor

Range	0.01% to 200%
Resolution	0.01%

Linearity Factor

Range	0.1 to 15
Resolution	0.1

Noise (after Auto Zero)

6910 series	500 nW (-33 dBm)
6920	300 pW (-65 dBm)
6923/6924	100 nW (-50 dBm)
6930 series	15 mW (-18 dBm)

RESPONSE TIME

<100 ms

AVERAGING

1 to 1000 selected automatically or manually entered

RESOLUTION

2 to 4 digits, user selectable

CHART RECORDER

Rear panel voltage/current BNC output gives a voltage proportional to measured power

Sensitivity

0 V to 5 V:0 V level dependent upon detector or sensor

Log Mode

1 V per decade

Linear Mode

Scaling dependent on detector or sensor

POWER REFERENCE

Output Connector

N(f), 50 Ω. (Adapter supplied with 75 Ω and MPC (IFR Precision Connector), 3.5 mm and 2.92 mm power sensors)

Frequency - 50.3 MHz ± 0.1 MHz

Level - 1 mW

Uncertainty - ±0.7% traceable to National Standards

Accuracy - ±1.2% worst case for 1 year

FREQUENCY COUNTER

FREQUENCY RANGE

6202B	10 MHz to 2 GHz
6200B/6201B	10 MHz to 20 GHz
6203B/6204B	10 MHz to 26.5 GHz

RESOLUTION

Readout Mode - 1 Hz to 100 MHz, user selectable

Swept Mode - 6 digits

ACCURACY

Readout Mode - < ±25 Hz ± frequency standard error

Swept Mode - < (±6th significant figure or ±100 Hz, whichever is greater) ± frequency standard error

TYPICAL SENSITIVITY

	6200B/6201B/6202B/6203B	6204B
25 MHz to 10 GHz	<-20 dBm	<-19 dBm
10 GHz to 20 GHz	<-15 dBm	<-14 dBm
20 GHz to 26.5 GHz	<-10 dBm	<-8 dBm

MAXIMUM INPUT LEVEL - +5 dBm

DAMAGE LEVEL - +27 dBm peak

INPUT CONNECTOR

6200B/6201B/6202B	Precision N Type (female)
6203B/6204B	PC (Precision Connector) 3.5 mm (female)
Option 002	Field replaceable, 50 Ω precision 3.5 mm (female) and N-type (female)
Input Impedance	50 Ω nominal

FM TOLERANCE

Readout Mode

20 MHz peak to peak at 45 Hz to 10 MHz rate

Swept Mode

1.5 MHz peak to peak at 75 Hz to 10 MHz rate

AM TOLERANCE

Up to 40% modulation depth for signals within the range of sensitivity and maximum input level

ACQUISITION TIME

Readout Mode

Typically 2 s for frequencies greater than 300 MHz, for 1 Hz resolution

Swept Mode

Typically 150 ms per point for frequencies greater than 300 MHz

SELECTIVITY

Typically 25 dB

PROGRAMMABLE VOLTAGE/CURRENT SOURCE

VOLTAGE OUTPUT

Range	-15 V to +15 V
Resolution	1 mV
Accuracy	< ±15 mV.
Total power supplied	not to exceed 2.5 W

CURRENT OUTPUT

Range	-150 mA to +150 mA
Resolution	10 mA
Accuracy	< ±300 mA
Total power supplied	not to exceed 1.25 W

Stability with Temperature - 10 $\mu\text{A}/^\circ\text{C}$

OUTPUT CONNECTOR - Rear panel BNC

DISPLAY

Color active matrix TFT Liquid Crystal Display with 16.5 cm (6.5 in) visible diagonal.

External color monitor (VGA) output on rear panel.

NUMBER OF CHANNELS

Two. A channel may be configured either as a swept channel for displaying traces or a readout channel for displaying read-outs of values such as power and frequency.

NUMBER OF TRACES/READOUTS

Four. Maximum of two per channel.

TITLES

Screen title plus individual measurement titles. Individual title coded to each trace/readout.

SWEPT CHANNEL CHARACTERISTICS

The horizontal and vertical axes can be configured to display a variety of different measurements. The horizontal axis, referred to as 'Domain', may be defined to display the stimulus such as frequency, power, voltage and current. The vertical axis, referred to as 'Response', may display frequency, power and voltage.

DOMAIN (Horizontal Axis)

Frequency Modes

CW, start/stop, center/span, alternate sweep

Frequency Resolution

Settable to 1 Hz, displayed as six digits

Frequency Offset

Frequency offset between source and display can be entered to characterize frequency changing devices such as mixers

Frequency Scaling

Multiplication factor between source and display can be entered to characterize frequency multipliers and dividers

Power Sweep Range

Range depends on option - refer to Synthesized Sweep Generator section

Power Offset

Power offset between source and display can be entered for use when measuring amplifiers and attenuators

RESPONSE (Vertical Axis)

Units

dBm, dB, pW to kW, nV to V, VSWR, Hz to GHz

Scaling

Manual auto-scale (single shot), continuous auto-scale (every sweep) or user selectable

Reference Level Position

Reference level may be set to any graticule line

Reference Level Value

-199.99 to +199.99 all units except VSWR
1 to 100 VSWR

MEASUREMENT MANIPULATION

Scalar Detector and Counter Inputs

Display live measurement
Display trace memory
Display live measurement relative to trace memory.
Measurement hold may be applied for each trace.

Scalar Detector Inputs Only

Any input or ratio of inputs may be assigned to any one or more than one of the traces. A trace may display absolute power, power relative to a path calibration or power minus a trace memory.

Complex Limit Lines

Four stores of 12 segments each. Each segment defines an upper and a lower limit line or point. Any store can be applied to any trace.

Input Offsets

An offset in the range -99.99 to +99.99 dB in 0.01 dB steps may be applied per detector input

MARKERS

Eight per trace plus a separate delta marker

Marker Functions

Marker, delta marker, minimum, maximum, search left, search right, N-dB bandwidth (with center frequency) marker tracking. Peak to peak response value and optional test against limit

Marker Resolution

Domain (Horizontal)

Frequency - Selectable, either 6 digits or 1 Hz
Power - 0.01 dB
Voltage - 1 mV
Current - 10 μA

Response (Vertical)

Power - 0.01 dB
Frequency - Six digits
Voltage - 1 nV

READOUT CHANNEL CHARACTERISTICS

RESOLUTION

Power - 2 to 4 digits, user selectable
Frequency - 1 Hz to 100 MHz, user selectable
Voltage - Four digits

UNITS

Power - dBm, dB, pW to kW
Frequency - Hz to GHz
Voltage - nV, μV , mV, V, kV

MEASUREMENT MANIPULATION

Marker Readout

Spot readings may be made at the domain value specified by the active marker

Limit Checking

Upper and lower test limits may be entered

Relative Measurement

To display the measured offset from a previously entered or measured reading

Max/Min Hold

To display maximum and minimum values over a period of time for drift measurements

Duty Cycle

To display peak power given by average power measured/duty cycle.
Range: 0.001 to 100%

Peaking Meter Display

Analog display to assist when adjusting power levels

Input Offsets

An offset in the range -99.99 to +99.99 dB in 0.01 dB steps may be applied per detector or sensor input

AUXILIARY INPUTS AND OUTPUTS

GPIB INTERFACE

GPIB is IEEE 488.1 and 488.2 compatible. The interface has three applications:-

- Instrument control with full talk and listen capability.
- Control of a plotter using HPGL. Plotter output is buffered to permit measurements to proceed whilst plotting.
- Control of a second MTS for mixer measurements. The instruments may be set to sweep with a fixed frequency offset between them.

MEMORY CARD INTERFACE

For external storage of data or installation of memory card applications.

PARALLEL PRINTER OUTPUT

Compatible with Epson FX, Hewlett Packard DeskJet/LaserJet 4, color DeskJet or Canon BJ series printers. Output is buffered to allow further measurements whilst printing.

FREQUENCY STANDARD IN/OUT BNC

1 or 10 MHz input or 10 MHz output (nominally 2 V pk-pk into 50 Ω) selectable from front panel.

EXTERNAL LEVELLING INPUT BNC

For connection of remote detector or power meter for source levelling.

VOLTAGE/CURRENT OUTPUT BNC

User definable to be:

Fixed Ramp

0 to 10 volt ramp corresponding to frequency start and stop

Volts/GHz

Voltage proportional to frequency output from source

Fixed

Fixed voltage or current output for bias measurements

Swept V/I

Swept voltage or current for voltage/current domain measurements

Chart recorder

Voltage proportional to power level of scalar detector or power meter sensor input

EXTERNAL MONITOR

Output to a VGA 640 x 480 standard, color monitor
Rear panel 15 way 'high density' D type female connector

EXTERNAL KEYBOARD

To interface to compact keyboard (optional accessory)

GENERAL

FREQUENCY STANDARD

For synthesized sweep generator and frequency counter

Internal - 10 MHz Oven Controlled Crystal Oscillator

Temperature Stability - Better than ± 5 in 10^8 , 0 to 50°C

Ageing - Better than 2 in 10^7 per year

External Input - 1 or 10 MHz standard rear panel BNC socket

Output - 10 MHz, rear panel BNC socket

MEMORIES

Trace Memories - Four

Settings Stores - Ten

Power Sensor Cal Stores

10 sets of Power Sensor calibration and linearity factor data

Memory Card - Extra stores available on memory card

3.5 in DISK DRIVE (OPTION 003)

Up to two hundred trace memories can be stored on a 3.5 in disk. Disks can also store the same parameters as the memory card or instrument memories.

REAL TIME CLOCK

Date and Time - Used to date-stamp hard copies

ELECTROMAGNETIC COMPATIBILITY

Conforms with the protection requirements of EEC Council Directive 89/336/EEC.

Complies with the limits specified in the following standards:

EN55011-1991 (Emission)	CISPR11
EN50082-1:1992 (Immunity)	IEC801-2:1991
	IEC801-3:1984
	IEC801-4:1988
EN60555-2:1987 (Mains Harmonics)	IEC555-2

SAFETY

Complies with IEC 1010-1. BS EN61010-1 for class 1 portable equipment and is for use in a pollution degree 2 environment. The instrument is designed to operate from an installation category 2 supply.

RATED RANGE OF USE (over which full specification is met)

Temperature - 0 to 50°C

Humidity - Up to 93% RH at 40°C

CONDITIONS OF STORAGE AND TRANSPORT

Temperature - -40 to +70°C

Humidity - Up to 93% RH at 40°C

POWER REQUIREMENTS

Switchable voltage ranges

115 V set	90 to 132 V
230 V set	188 to 265 V

AC Supply - 45 to 440 Hz, 500 VA maximum

DIMENSIONS AND WEIGHT

Height	Width	Depth
197 mm	389 mm	546 mm
7.75 in	15.3 in	21.5 in

Weight

6200B	16 kg (35 lb)
6201B	15 kg (33 lb)
6202B	14.5 kg (32 lb)
6203B	16.25 kg (36 lb)
6204B	17 kg (37.4 lb)

Notes: Guaranteed power range, power accuracy and VSWR are calibrated for the temperature range 0 to 50°C and are subject to the availability of National Standards.

Typical performance figures are non-warranted.

Versions and Options

When ordering please quote the full ordering number information.

Ordering Numbers

6200B	10 MHz to 20 GHz Microwave Test Set (MTS)
6201B	10 MHz to 8 GHz MTS
6202B	10 MHz to 2 GHz RF Test Set
6203B	10 MHz to 26.5 GHz MTS
6204B	10 MHz to 46 GHz MTS

Options

Option 001	70 dB step attenuator
Option 002	Field replaceable RF output connector (3.5 mm and N type) (Not available on 6204B)
Option 003	3.5 in Floppy disk drive (standard on 6202B)
Option 008	8.4 GHz Frequency extension (6201B only)
Option 009	90 dB step attenuator (Not available on the 6204B)

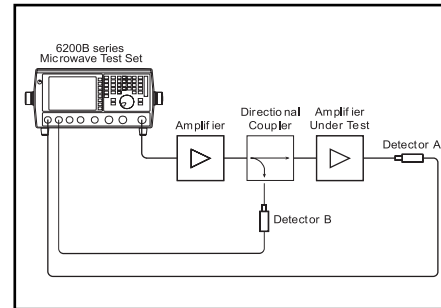
Supplied with

43123/076	AC supply lead
43138/663	1.5 m power sensor cable
46882/106	Operating manual
6950/069	Input socket cap
23443/822	N(m) to SMA (f) adapter supplied with 6203B and 6204B

Complementary products

6146	500 MHz to 18 GHz Pulse Modulator
6148	Pulse Generator and Modulator
6210	259 MHz to 26.5 GHz Reflection Analyzer
6255	50 to 75 GHz Millimeter Wave Reflectometer
6256	75 to 110 GHz Millimeter Wave Reflectometer

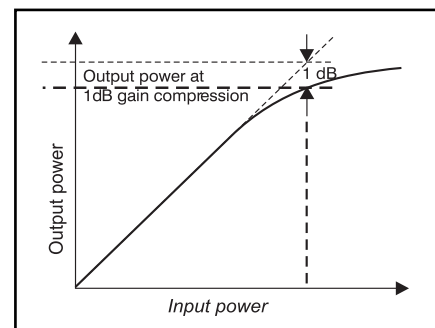
Gain Compression Application



Test Set up for Ratioed Measurements

The gain compression application runs on the 6200 series Microwave Test Set (MTS) to provide a powerful tool for characterising amplifiers. It is often necessary to characterise the power handling capability of an amplifier. A key aspect of this is the output power at which the gain of the amplifier drops to 1 dB below the small signal value; this is known as the 1 dB compression point. When an amplifier is in compression its characteristics become non-linear. Consequently, signals passing through it will be distorted. Although the 1 dB compression point is the most commonly used, other values are also measured.

For example the 3 dB or 6 dB compression points of high powered devices, such as travelling wave tubes (TWT) or klystrons, are often measured as a definition of amplifier saturation.



Output power variation against input power showing amplifier going into compression.

For many classes of power amplifier the degree of gain compression varies with frequency. The frequency at which gain compression is greatest determines the power limit of the amplifier. The gain compression software allows the user to perform a swept frequency compression measurement. Deficiencies in power handling become immediately apparent.

The 6200 screen displays the frequency dependant gain compression and the corresponding output power level. Conventional methods when applied to wideband amplifiers can involve considerable testing time, without the near instantaneous results necessary for adjusting performance interactively. This

capability is especially useful during the design and production stages of broadband amplifiers.

The gain compression software utility generates this display quickly and easily with minimal user interaction, completing the entire measurement typically in under 30 seconds.

Operation

During the measurement set up, clear diagrams are displayed on the MTS screen showing how to connect the measurement components. The user is guided through calibration and measurement. Consequently, procedural measurement errors are eliminated and test time is minimized.

The basic measurement set up is shown below. The RF output of the MTS is applied directly to the input of the amplifier under test, and a scalar detector connected to the input A measures the amplifier output.

It is possible to modify the basic set up by the use of attenuators at either the input or output stages of the amplifier or by the use of a pre-amplifier. A pre-amplifier may be necessary when testing low gain, high compression point amplifiers which the standard MTS may not be able to drive into compression.

The power level of the source is set to an initial level in the small signal gain region of the amplifier. A frequency sweep is then performed to give a display of the small signal gain against frequency. The output power of the MTS source is then increased at each measurement point in an iterative process until the amplifier is at the 1 dB compression point at all frequencies. (Compression values other than 1 dB can be selected before the measurement is made).

Two traces are then displayed; one is the gain at the 1 dB compression point as a function of frequency, the other is the amplifier power output (or input) at the compression point as a function of frequency.

When the measurement has completed the user can store the results to non volatile memory or generate a hard copy print or plot as necessary. This whole process typically takes less than 30 seconds and enables full and comprehensive testing of amplifiers that may not otherwise have been possible.

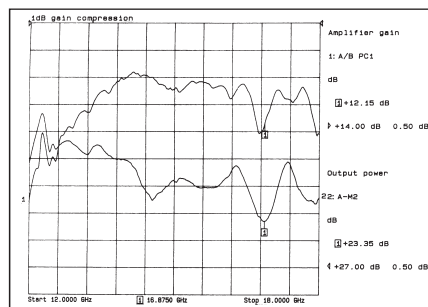
GPIB Control

For automated measurements the application can be controlled over the standard MTS GPIB. In this way amplifier production can also be simplified with automated pass/fail analysis of the measurement within the test program.

Remote Levelling Capability

The software can also be used for fast power levelling of the MTS at the end of a test cable. This facility allows the user to connect a long RF cable to the RF output of the MTS and achieve levelled power of a user defined value at the test port of the cable. In this way the frequency response of devices between the MTS output and the test port can be eliminated. Remote levelling takes typically less than

one minute and removes the need for a separate power meter which is usually necessary with alternative systems.



Top trace shows amplifier gain against frequency. Lower trace shows amplifier output power against frequency. All frequency measurement points are at 1 dB compression.

Specification

Runs on any 6200 series Microwave test Set (MTS) with issue 2.0 software or higher. It is recommended that the MTS is fitted with the optional internal attenuator. (Option 001 or 009).

Measurements Provided

Amplifier gain, input power or output power as a function of frequency at N dB compression (where N is in the range 100 to -100 dB).

Measurement Definitions

Supports single detector and ratio measurements

Additional Capability

Correction for attenuators on amplifier output. Correction for attenuation or pre amplification on amplifier input using ratio measurement. (Pre amplification may be necessary in order to compress low gain high power amplifiers).

Source Control

Number of measurement points 2 to 1601
User specified maximum RF output power.

RF Performance

As for MTS. See separate specification.

Versions and Accessories

When ordering please quote the full ordering number information.

Ordering Numbers

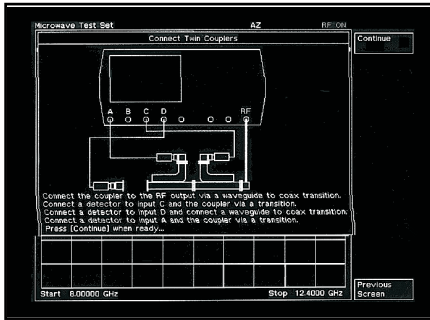
59000/265 Gain Compression software utility for 6200 series Microwave Test Set (MTS).

Supplied on MTS memory card

Supplied with

46882/232 Operating manual

Guided Measurement Application



Connection diagram for measurement of return loss and insertion loss in a waveguide feed using couplers

When installing and commissioning a new RF or microwave radio link the quality of the antenna and antenna feed, waveguide or coaxial, is fundamental to the overall link performance. Return loss is the principal measurement made to quantify the quality of the antenna and feed installation. Some users prefer to measure VSWR which is an alternative presentation of the same measurement.

With the guided measurements application the user is lead through the measurements. It is not necessary to have a comprehensive understanding of the MTS as the application presets key instrument parameters. Prompts and message boxes appear for the user to enter values specific to their system such as start and stop frequencies. Large on-screen diagrams show the user how to connect up the necessary components such as detectors, couplers and test heads.

The guided measurements application supports measurements on both waveguide and coaxial systems. Should the system under test fail to meet the specified return loss (VSWR) measurement limit, the same application can be used to guide the user through a fault location measurement. Fault location identifies the position of a fault or discontinuity such as might occur at a coax connector or waveguide flange.

The 6200 series MTS is designed for people to install and maintain RF and microwave antenna systems. The excellent performance along with the integrated and compact design mean that it can be operated in all locations with confidence. When used with the guided measurements application, fast accurate and repeatable measurements are guaranteed. This results in minimum installation time and quick repair of faulty sites.

Performing the Measurement

The application commences by prompting for the following information

- Type of measurement return loss, fault location, insertion loss
- Transmission line medium waveguide, coax
- equipment to be used test head, waveguide couplers

A diagram is then displayed to show the user how to connect the components to make the measurement. Messages prompt for data entry of parameters such as start and stop frequencies.

The user is then guided through the appropriate calibration for the chosen measurement. This routine minimizes errors to give the best possible measurement accuracy.

After calibration, on-screen diagrams show how to connect the equipment to measure the transmission line under test. The MTS will now display the trace of the measurement or measurements selected. Operation of the MTS returns to the standard user interface which allows markers to be positioned and traces plotted or stored to memory for further examination at a later date.

Transmission Line Database

A separate memory card is available which contains the fundamental parameters of relative velocity, attenuation and cut off frequency for the most commonly used coaxial and waveguide transmission lines. This transmission line database complements the use of the guided measurement application and eliminates the need to carry transmission line manufacturers catalogues to the antenna site.

Versions and Accessories

When ordering please quote the full ordering number information.

Ordering Numbers

59000/280 Guided measurements application for 6200 series Microwave Test Set (MTS). Supplied on MTS memory card.

Supplied with

46882/241 Operating Manual

Complementary Product

59000/264 Transmission Line Database

6200B RF AND MICROWAVE TEST SETS ACCESSORIES**Order numbers****Versions****6230A/L SCALAR DETECTORS****Scalar Detectors (with EEPROM correction)**

6230A series	Standard Detectors
	(-65 dBm to +20 dBm) typical
6230A	10 MHz to 20 GHz, N type (m)
6232A	1 MHz to 3 GHz, N Type (m)
6233A	10 MHz to 26.5 GHz, 3.5 mm (m)
6234A	10 MHz to 46 GHz, 2.92 mm (m)
6230L series	Low VSWR detectors (-59 dBm to +26 dBm Low VSWR) typical
6230L	10 MHz to 20 GHz, N type (m)
6233L	10 MHz to 26.5 GHz, 3.5 mm (m)
6234L	10 MHz to 46 GHz, 2.92 mm (m)

Autotesters

59999/151	10 MHz to 18 GHz 7 mm
59999/158	10 MHz to 18 GHz N (m)
59999/159	10 MHz to 18 GHz N (f)
59999/152	10 MHz to 26.5 GHz 3.5 mm WSMA (m)
59999/166	10 MHz to 26.5 GHz 3.5 mm WSMA (f)
59999/168	10 MHz to 40 GHz 2.92 mm (m)
59999/169	10 MHz to 40 GHz 2.92 mm (f)

RF Bridge

59999/170	5 MHz to 2 GHz N (f)
-----------	----------------------

Fault Locators

6242F	10 MHz to 3 GHz, N (f)
6242M	10 MHz to 3 GHz, N (m)
6240F	10 MHz to 20 GHz, N (f)
6240M	10 MHz to 20 GHz, N (m)
6243F	10 MHz to 26.5 GHz, 3.5 mm (f)
6243M	10 MHz to 26.5 GHz, 3.5 mm (m)
6241	10 MHz to 20 GHz, 7 mm

Microwave Ruggedized Cables for Fault Locators

54311/197	1.5 m, 20 GHz, N (m) to Right Angle N (m)
54311/198	3.0 m, 20 GHz, N (m) to Right Angle N (m)
54311/201	1.5 m, 26.5 GHz, 3.5 mm (m) to Right Angle 3.5 mm (m)
54311/202	3.0 m, 26.5 GHz, 3.5 mm (m) to Right Angle 3.5 mm (m)

RF Ruggedized Cables for Fault Locators

54311/199	1.5 m, 3 GHz, N (m) to Right Angle N (m)
54311/200	3.0 m, 3 GHz, N (m) to Right Angle N (m)

Transmission Line Test Head

56581/001	10 MHz to 20 GHz Transmission Line Test Head, 6581
56583/001	10 MHz to 26.5 GHz Transmission Line Test Head, 6583

Microwave Ruggedized Cables for Transmission Line Test Heads

54311/116	1.5 m, 20 GHz, N (m) to N (m)
54311/109	3.0 m, 20 GHz, N (m) to N (m)
54311/117	1.5 m, 26.5 GHz, 3.5 mm (m) to 3.5 mm (m)
54311/110	3.0 m, 26.5 GHz, 3.5 mm (m) to 3.5 mm (m)

Power Sensors**6910 Series Medium Power**

56910/900	10 MHz to 20 GHz, N type (m)
56911/900	10 MHz to 20 GHz, 7 mm
56912/900	30 kHz to 4.2 GHz, N type (m)
56913/900	10 MHz to 26.5 GHz, MPC 3.5 mm (m)
56914/001	10 MHz to 40 GHz, 2.92 mm (m)
56914/002	10 MHz to 40 GHz, 2.92 mm (m) plus waveguide 22 transformer
56914/003	10 MHz to 46 GHz, 2.92 mm (m)
56919/900	30 kHz to 3 GHz, N type 75 W

6920 Series Low Power

56920/900	10 MHz to 20 GHz, N type (m)
56923/900	10 MHz to 26.5 GHz, MPC 3.5 mm (m)
56924/001	10 MHz to 40 GHz, 2.92 mm (m)
56924/002	10 MHz to 40 GHz, 2.92 mm (m) plus waveguide 22 transformer
56924/003	10 MHz to 46 GHz, 2.92 mm (m)

6930 Series High Power

56930/900	10 MHz to 18 GHz, N type (m) 35 dBm
56932/900	30 kHz to 4.2 GHz, N type (m) 35 dBm
56934/001	10 MHz to 40 GHz, 2.92 mm (m) 30 dBm
56934/002	10 MHz to 40 GHz, 2.92 mm (m) plus waveguide 22 transformer 30 dBm
56934/003	10 MHz to 46 GHz, 2.92 mm (m) 30 dBm
56930/002	10 MHz to 18 GHz, N type (m) 45 dBm
56932/002	30 kHz to 4.2 GHz, N type (m) 45 dBm

Fault Locator, Scalar Detector, Power Sensor DC Cables

43138/663	1.5 m, DC Cable
43138/664	3.0 m, DC Cable
43138/665	10 m, DC Cable
43138/666	25 m, DC Cable
43138/667	50 m, DC Cable

(For longer lengths contact your local IFR sales office).

Power Splitters/Dividers

54311/123	Power Splitter DC to 18 GHz, Type N
54311/124	Power Splitter DC to 26.5 GHz, 3.5 mm
54311/161	Power Splitter DC to 40 GHz, 2.92 mm
54311/187	Power Divider DC to 18 GHz
54311/188	Power Divider DC to 26.5 GHz

RF Ruggedized Cables for Bridges and Dividers

54311/195	1.5 m, 3 GHz, N (m) to N (m)
54311/196	3.0 m, 3 GHz, N (m) to N (m)

Fixed Loads

54421/020	7 mm Fixed Load
54421/021	3.5 mm (f) Fixed Load
54421/022	3.5 mm (m) Fixed Load
54421/023	N (m) Fixed Load
54421/024	N (f) Fixed Load

54311/175

54311/167

54311/174

54311/176

54311/177

54311/178

54311/185

54311/137

54311/138

54311/139

54311/186

54311/203

54311/204

54311/205

54311/136

54311/107

54311/165

54311/164

54311/162

54311/206

54311/207

54311/133

54311/134

54311/135

54311/170

54311/112

43129/189

43139/042

46884/560

43137/604

54351/022

54351/025

54351/027

56534/901

56534/902

56534/903

56534/904

59000/265

59000/280

59000/264

59000/182

59000/186

59000/190

59000/327

54211/004

54441/016

54441/017

54441/018

54127/309

54127/311

54124/027

54121/034

46880/064

54112/157

54112/160

54112/161

54152/001

54211/008

Precision Adapters

N (m) to N (m)

N (m) to N (f)

N (f) to N (f)

N (f) to 3.5 mm (f)

N (m) to 3.5 mm (f)

N (m) to 3.5 mm (m)

N (f) to 3.5 mm (m)

N (m) to TNC (f)

N (m) to TNC (m)

N (f) to TNC (f)

N (f) to TNC (m)

7 mm to N (f)

7 mm to TNC (m)

7 mm to TNC (f)

TNC (m) to TNC (m)

3.5 mm (f) to 3.5 mm (f)

3.5 mm (m) to 3.5 mm (f)

3.5 mm (m) to 3.5 mm (m)

2.92 mm (m) to 2.92 mm (m)

2.92 mm (m) to 2.92 mm (f)

2.92 mm (f) to 2.92 mm (f)

Standard Adapters

N (f) to SMA (f)

N (m) to SMA (f)

TNC (m) to SMA (m)

Miscellaneous Electrical Cables

Positive Voltage Measurement Cable

Negative Voltage Measurement Cable

GPIO Cable

RF Cable, 50 Ω, BNC - BNC, 1.5 m

Parallel Printer Interface Cable

Cable assembly (Autotester)

Standard Microwave Cables

0.5 m, 20 GHz, N (m) to N (m)

0.5 m, 26.5 GHz, 3.5 mm (m) to 3.5 mm (m)

0.5 m, 40 GHz, 2.92 mm (m) to 2.92 mm (m)

Attenuators

Precision Fixed Coaxial Attenuator 3 dB DC to 18 GHz 5 W, N(m) to N(f)

Precision Fixed Coaxial Attenuator 6 dB DC to 18 GHz 5 W, N(m) to N(f)

Precision Fixed Coaxial Attenuator 10 dB DC to 18 GHz 5 W, N(m) to N(f)

Precision Fixed Coaxial Attenuator 20 dB DC to 18 GHz 5 W, N(m) to N(f)

Application and memory cards

Gain Compression Application

Guided Measurements Application

Transmission Line Database

128k Blank Memory Card

512k Blank Memory Card

MTS PC-Utilities Software

MIPlot Software Pack

Memory Card Reader/Writer Unit

AC Adapter - UK style for Reader/Writer

AC Adapter - European style for Reader/Writer

AC Adapter - USA style for Reader/Writer

Rack Mount Kit for 6200B

Rack Mount Kit for 6200B and 6210

Front Stowage Cover

Detector Input Socket Cap

Service Manual

Soft Carrying Case

Hard Flight Case for 6200B and 6210

Hard Flight Case for 6200B.

3.5 mm Torque Wrench for 6200B

Compact Keyboard



IFR - "Working together to create solutions for the world of communications."

IFR is a world leader in developing leading edge test and measurement equipment. The priority at IFR is to understand your communications test needs and respond to them. IFR has the flexibility and expertise to create just the right test solution for you. We understand that just as you are the expert in designing wireless products, we are expert in wireless test.

Combining the quality of our test products with their reliability, excellent price/performance ratio and minimal requirements for maintenance, every IFR test system represents an outstanding lifetime value.

IFR - "Working together with our customers to be flexible and innovative in providing effective test solutions for the rapid design, manufacture and maintenance of communications systems."

The added value IFR includes with each and every test set we sell will make you more productive. We offer a two-year standard warranty on all products and we will continue to support your product for five years beyond its final production. Our outstanding Customer Service Department offers calibration, out-of warranty repairs and consulting. Our Sales and Training Departments offer clear and concise product information with realistic performance specifications, technology training and application training. Our experienced engineers will help you develop application software and through continuous improvement programs, upgrades are always available.

IFR will continue to build upon our technology resources with an aggressive commitment that will enable you to excel in some of the world's most dynamic, high growth markets.

CHINA

Tel: [+86] (10) 6467 2823
Fax: [+86] (10) 6467 2821

FRANCE

Tel: [+33] 1 60 79 96 00
Fax: [+33] 1 60 77 69 22

GERMANY

Tel: [+49] (8131) 29260
Fax: [+49] (8131) 2926130

HONG KONG

Tel: [+852] 2832 7988
Fax: [+852] 2834 5364

LATIN AMERICA

Tel: [+1] (972) 899 5150
Fax: [+1] (972) 899 5154

SCANDINAVIA

Tel: [+45] 9614 0045
Fax: [+45] 9614 0047

SPAIN

Tel: [+34] (91) 640 11 34
Fax: [+34] (91) 640 06 40

UNITED KINGDOM

Tel: [+44] (0) 1438 742200
Toll Free: [+44] (0800) 282 388 (UK only)
Fax: [+44] (0) 1438 727601

USA

Tel: [+1] (316) 522 4981
Toll Free: [+1] (800) 835 2352 (US only)
Fax: [+1] (316) 522 1360

email **info@ifrsys.com**

web **www.ifrsys.com**

As we are always seeking to improve our products, the information in this document gives only a general indication of the product capacity, performance and suitability, none of which shall form part of any contract. We reserve the right to make design changes without notice. All trademarks are acknowledged. Parent company IFR Systems, Inc. © IFR 2001.

Part No. 46891/054
Issue 5
08/2001