

Optical Power Meter

ML910B

- Dual Inputs
- 0.001 dB Display Resolution
- Feed-Through Sensor
- Data Storage Function
- Traceable to NBS



The Dual-Input Optical Power Meter With a Large Memory

The ML910B optical power meter provides two independent channels and advanced functions, enabling a variety of sophisticated optical-power measurements. Seven types of optical sensors are available to suit a variety of applications — any two can be connected as required.

The two channels are completely independent, and have separate displays, providing the same versatility that previously required two meters. Processing between channels is also possible. If a feed-through sensor is used, fluctuations in the output level of the optical source can be canceled, enabling exceptionally precise relative measurements with a resolution down to 0.001 dB.

Wavelengths from 0.38 to 1.8 μm can be measured, with sensitivity down to -90 dBm at 1.3 μm . The optical sensors have a built-in ability to respond to any wavelength in their specified range, so direct readout of the absolute optical power is possible simply by specifying the wavelength. A simple change in connections permits uncompensated measurements as well.

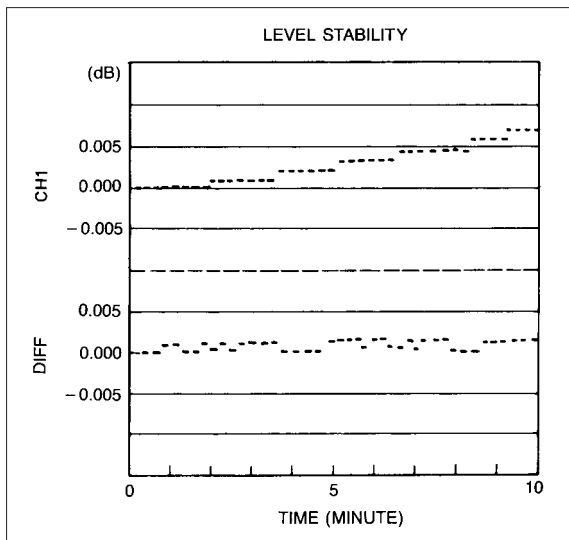
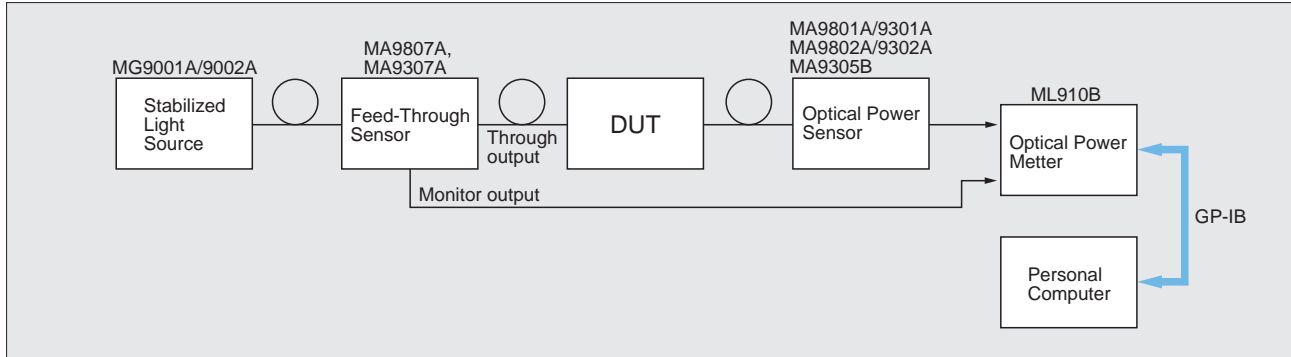
The data-storage function of the ML910B enables up to 3,000 measured values to be stored at the touch of a button, which greatly simplifies work in the field. An internal display calibration circuit is also provided, boosting overall reliability.

Features

- Two input channels with simultaneous data display
- Relative measurements with a resolution of 0.001 dB
- Feed-through sensor permits highly stable optical-loss measurements
- -90 dBm measurement sensitivity at 1.3 μm
- Wavelength selection function enables direct readout of absolute optical power
- Relative data recall allows a full range of relative functions
- Auxillary analog display using bar graph
- External control of averaging via GP-IB

Application Example

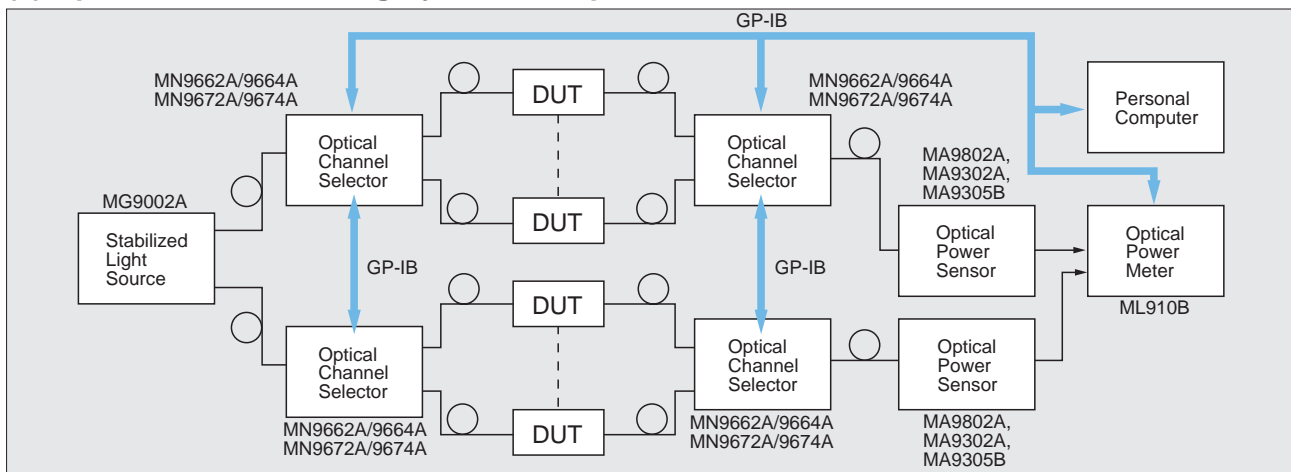
(1) Super-High-Stability Optical Loss Measuring System Setup



Super-High Sensitivity Optical Loss Measuring System

Even stable light sources such as LEDs are subject to fluctuations in output level (0.02 dB per minute for LEDs used by Anritsu) that limit the accuracy of optical loss measurements to about 0.05 dB. The feed-through sensor configuration shown above cancels the effect of these fluctuations. The ML910B, set to the DIFF mode, displays the difference between reference and measured values (CH1—CH2), to provide a measurement resolution of 0.001 dB. By connecting the ML910B to the Personal Technical Computer, these measurements can be performed automatically. The graph on the left produced by this automated configuration, shows typical measurement results.

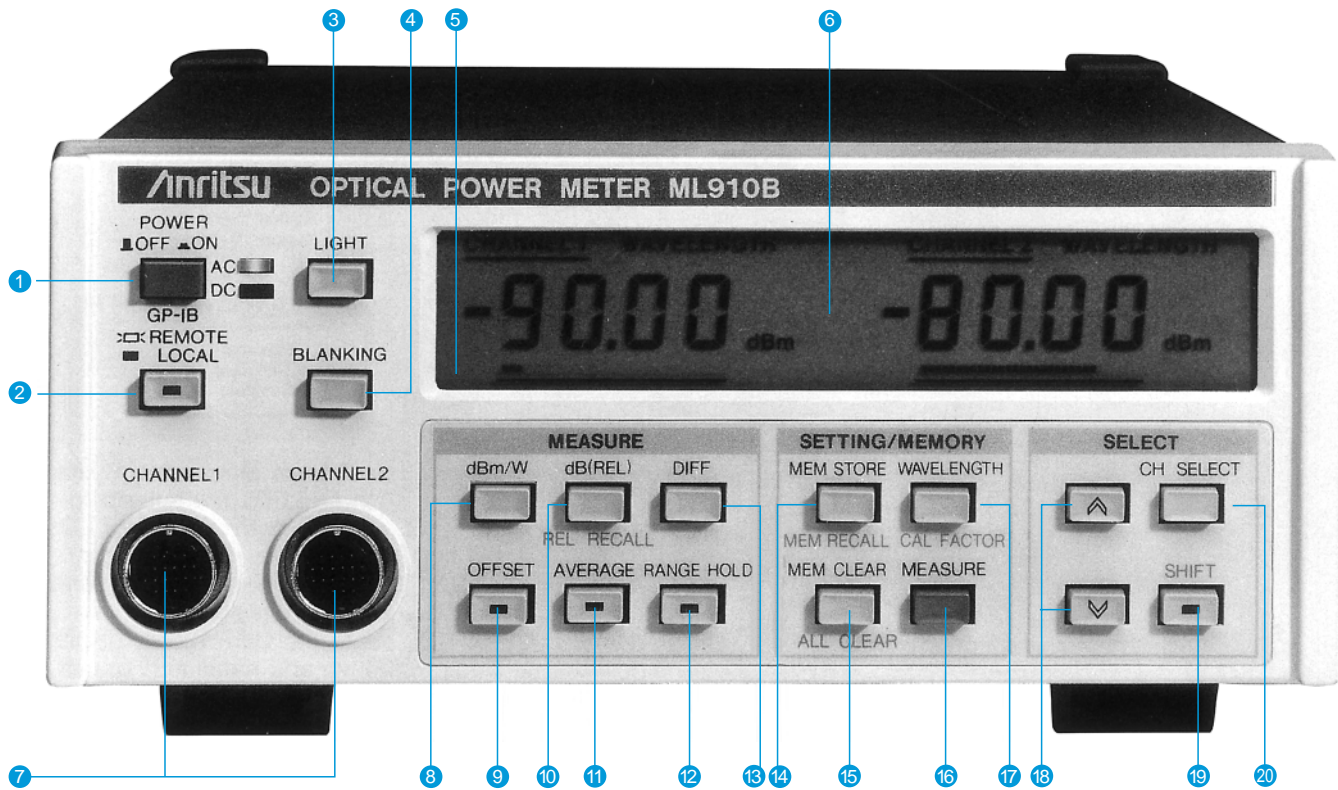
(2) Optical Loss Measuring System for Optical Devices



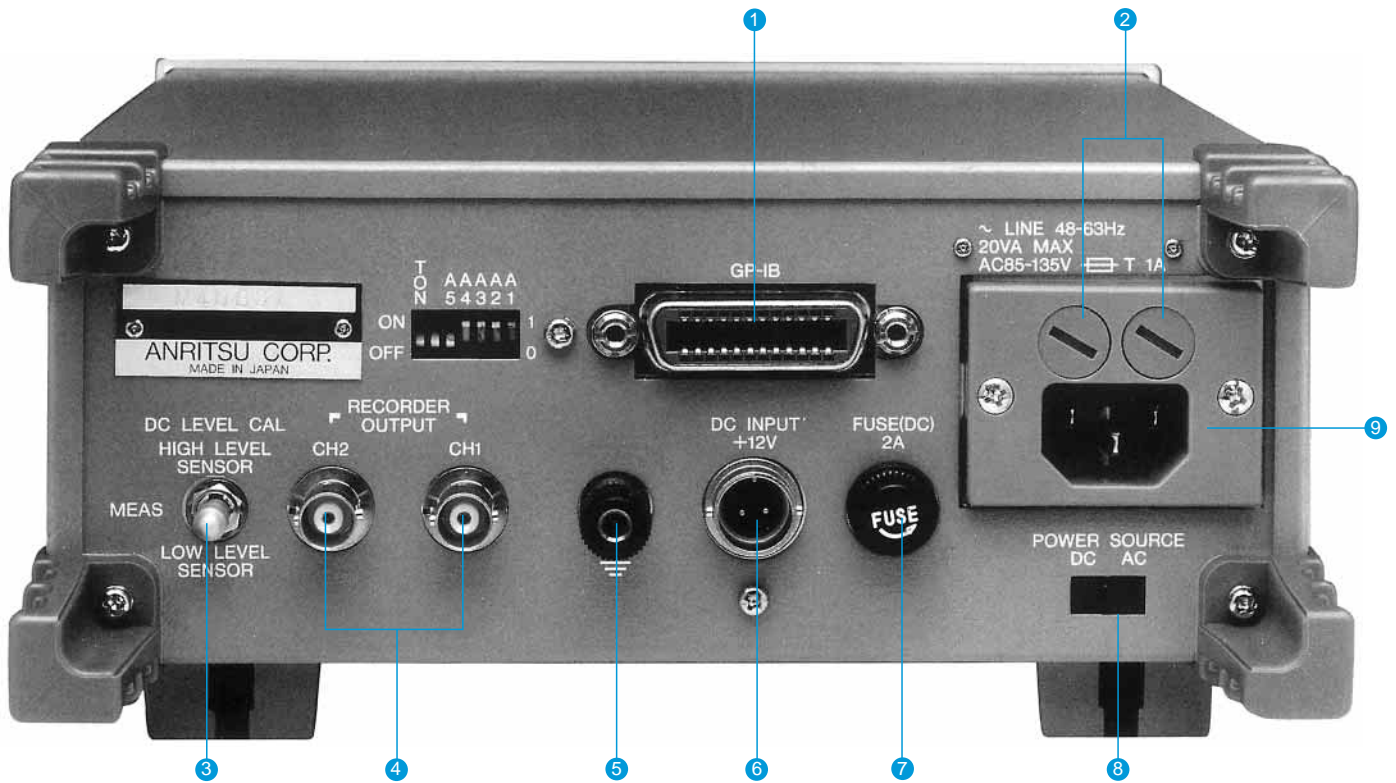
Configuration of Optical Power Measuring System Using Multi Channel Selectors

The configuration shown above permits the optical power or optical loss of multiple devices to be measured simultaneously. The two independent

channels and interchannel data processing functions of the ML910B let you configure simple, powerful and compact multichannel systems, whose functions can be automated by adding a personal computer.



- 1 POWER:**
Turns power on and off
- 2 LOCAL:**
Releases remote control
- 3 LIGHT:**
Back lights LCD
- 4 BLANKING:**
Used when least-significant digit display unnecessary
- 5 BAR GRAPH:**
For monitoring
- 6 POWER DISPLAY:**
Displays measurement value and unit
- 7 INPUT CONNECTOR:**
For connecting optical sensor
- 8 dBm/W:**
Switches between display in dBm and watts
- 9 OFFSET:**
Allows automatic offset adjustment of zero point
- 10 dB (REL):**
When pressed, establishes reference value and displays difference between reference and measured values.
REL RECALL:
With SHIFT, recalls reference for 0 dB (REL)
- 11 AVERAGE:**
Pressing AVERAGE key averages internally averaged data a further 10 times
- 12 RANGE HOLD:**
Fixes measuring range
- 13 DIFF:**
Display level difference (dB) between CH 1 and CH 2 on CH 1
- 14 MEM STORE:**
Memorizes data (in dBm)
MEM RECALL:
With SHIFT, for checking data contained in memory
- 15 MEM CLEAR:**
Erases newest data
ALL CLEAR:
With SHIFT, clears all data
- 16 MEASURE:**
Changes SETTING/MEMORY mode to MEASURE
- 17 WAVELENGTH:**
Sets wavelength
CAL FACTOR:
With SHIFT, for inputting correction value
- 18 SETTING KEY:**
Sets calibration factor and wavelength
- 19 SHIFT:**
Changes modes of: MEM RECALL, CAL FACTOR, REL RECALL, ALL CLEAR
Active only when key lamp lit
- 20 CHANNEL SELECT:**
Selects CH 1, CH 2 or both CH 1, 2



1 GP-IB CONNECTOR:

2 FUSE:

AC power supply fuse

3 DC LEVEL CAL:

Used to calibrate optical power indication

4 RECORDER OUTPUT:

1 V full-scale linear analog output proportional to power level in watts

5 EARTH TERMINAL:

Grounds equipment

6 DC POWER INPUT:

For operation on DC power source (+10.5 to +15 V)

7 FUSE:

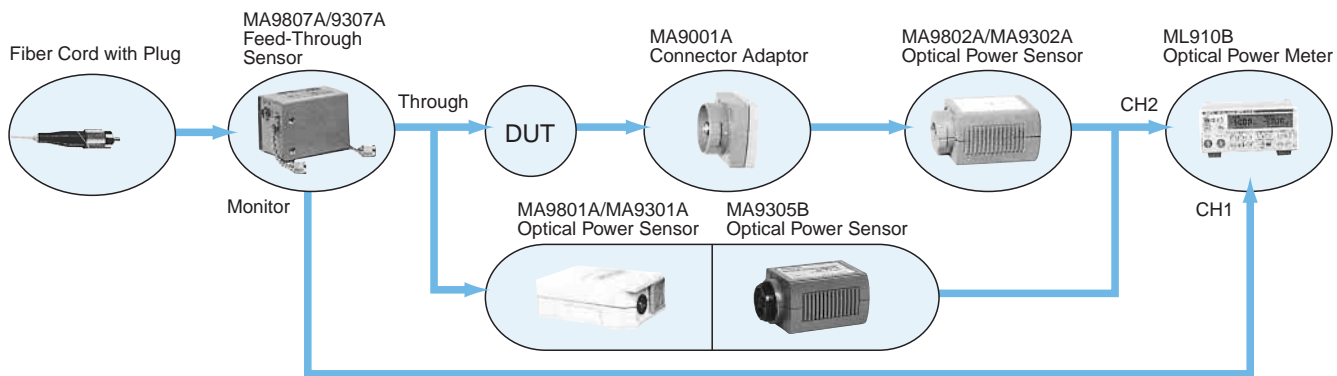
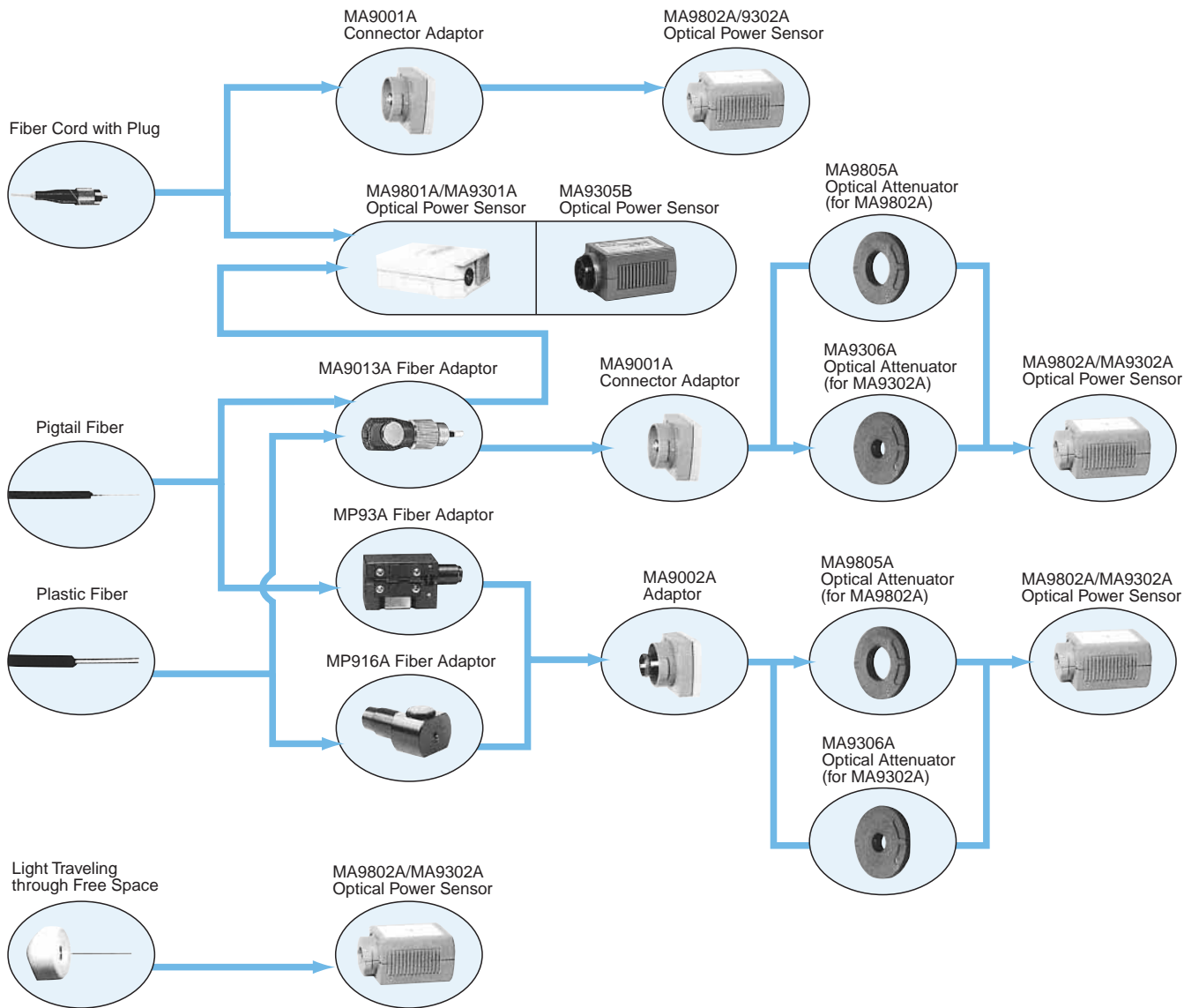
DC power supply fuse

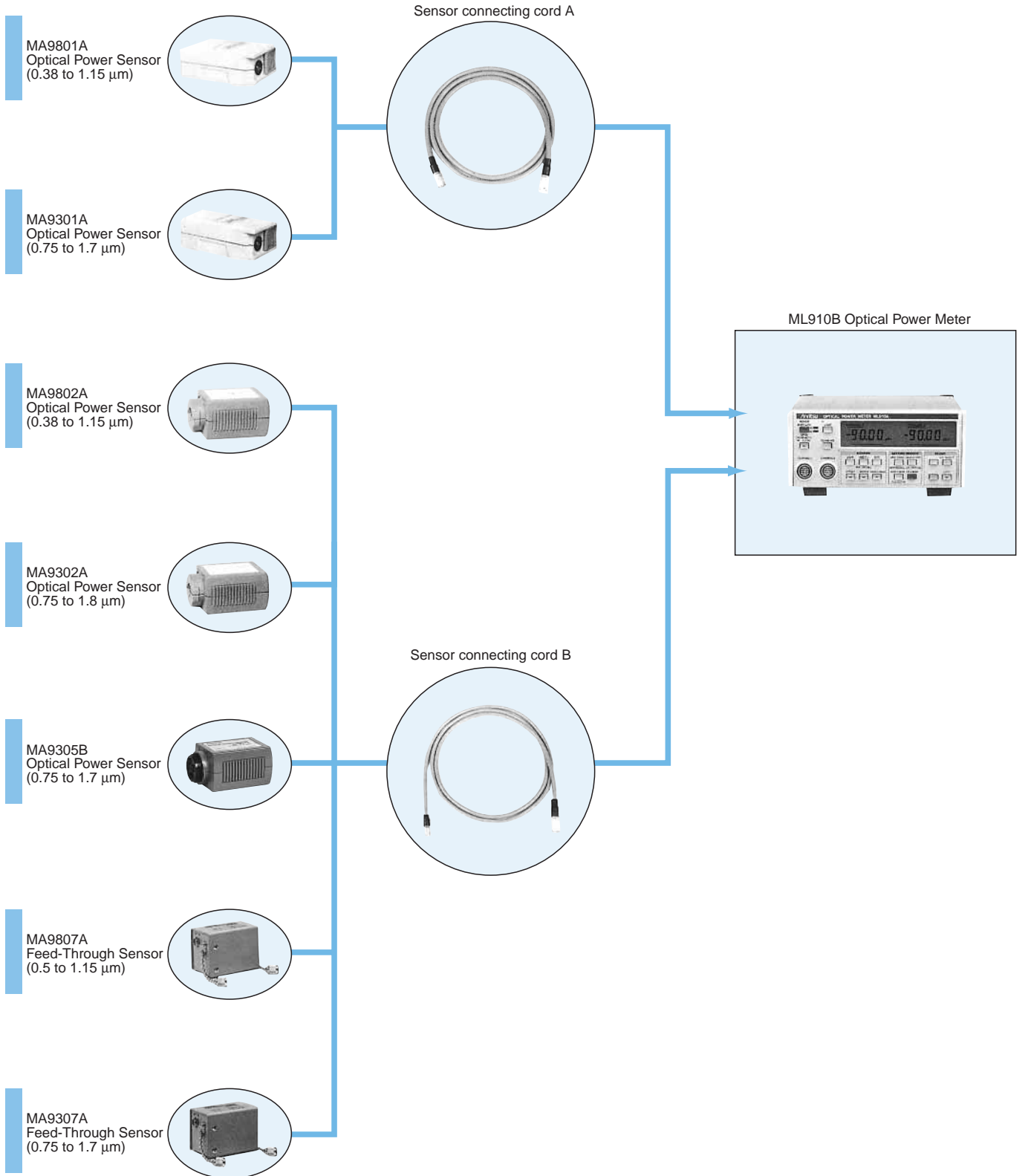
8 AC/DC CHANGEOVER SWITCH:

Sets equipment for AC or DC power supply

9 AC POWER INPUT:

For operation on AC power source





Specifications

Indicator (Main frame)	Display	Selection among watts/dBm/dB (REL), 4-digit digital display of two signals, bar graph						
	Calibration coefficient	Front-panel adjustment						
	Recorder output	Proportional to indicated power with 1 V corresponding to full scale, and 0.316 V to-5dB, in each range						
	Relative value display	Digital 4 digits						
	internal averaging ^{*1}	2 to 10 times (10 times at power on)						
	Averaging	ON/OFF switchable						
	Dimensions and mass	88H × 213M × 250D mm, <3 kg						
	Model	MA9801A	MA9301A	MA9802A	MA9302A	MA9807A Feed-through sensor	MA9307A Feed-through sensor	MA9305B
Wavelength range (μm)	0.38 to 1.15	0.75 to 1.7	0.38 to 1.15	0.75 to 1.8	0.5 to 1.15	0.75 to 1.7	0.75 to 1.7	
Element	Si photodiode	InGaAs photodiode	Si photodiode	Ge photodiode	Si photodiode	InGaAs photodiode		
Active area diameter	—	—	9.5 mm	5 mm	—	—	—	
Insertion loss	—	—	—	—	≤10 dB ^{*2}	≤10 dB ^{*2} ≤25 dB ^{*3}	—	
input type	FC connector ^{*4}		Direct to photodiode		FC connector ^{*4}		Connector adapter ^{*4}	
Dimensions and mass	42H × 61W × 110D mm, <700 g		31H × 40W × 62D mm, <400 g		45H × 37W × 66D mm, <400 g		31H × 40W × 65D mm, <400 g	
Overall	Power measuring range	-90 to 0 dBm (at 0.85 μm) 1 pW to 1 mW	-90 to 0dBm (at 1.3 μm) 1 pW to 1 mW	-65 to +20 dBm ^{*5} (at 0.85 μm) 0.3 nW to 0.1 W	-40 to +20 dBm ^{*5} (at 1.3 μm) 100 nW to 0.1 W	-65 to +10 dBm ^{*6} (at 0.85 μm) 0.3 nW to 10 mW	-60 to +3 dBm ^{*6} (at 1.3 μm) 1 nW to 2 mW	-70 to +3 dBm (at 1.3 μm) 0.1 nW to 2 mW
	Accuracy	±5% (0.85 μm, -23 dBm)	±5% (1.3 μm, -23 dBm)	±5% (0.85 μm, -23 dBm)	±5% (1.3 μm, -23 dBm)	—	—	±5% (1.3 μm, -23 dBm)
	Resolution	Watts display: 0.1 to 1%; dBm display: 0.01 dB; dB (REL) DIFF display: 0.001 dB						
	Ambient temperature rated range of use	0° to 45°C						
	Power	85 to 250 Vac, 50/60 Hz, <20 VA; 10.5 to 15 Vdc external power source						
EMC	EN61326: 1997/A1: 1998 (Class A), EN61000-3-2: 1995/A2: 1998 (Class D), EN61326: 1997/A1: 1998 (Annex A)							
LVD	EN61010-1: 1993/A2: 1995 (Installation Category II, Pollution degree 2)							

*1: Averaging can be externally set via GP-IB.

*2: GI fiber (50/125 μm, NA0.2: input and output)

*3: GI fiber (50/125 μm, NA0.2) input, SM fiber (10/125 μm, NA0.1) output (1.3 μm)

*4: The standard optical connector is the FC type; consult us if you need a modification.

*5: Using MA9805A or MA9306A Optical Attenuator (sold separately)

*6: Input optical power to sensor

Optical Power Measuring Range

Indicator	Optical Sensor	Wavelength (μm)	Optical Power Measuring Range (dBm)												
			-90	-80	-70	-60	-50	-40	-30	-20	-10	0	+10	+20	
ML910B	MA9801A	0.38~1.15	-----												
	MA9802A		----- - * -												
	MA9301A	0.75~1.7	-----												
	MA9305B		-----												
	MA9302A		0.75~1.8	----- - * -											

*: When used with Optical Attenuator (MA9805A/9306A)

Ordering Information

Please specify model/order number, name and quantity when ordering.

Model / Order number	Name	Remarks
ML910B	Main frame Optical Power Meter	
	Standard accessories	
J0313	Sensor Connecting Cord A, 2 m ^{*1} : 1 pc	With 20-pole connector
J0314	Sensor Connecting Cord B, 2 m ^{*2} : 1 pc	With 12-pole connector
	Power cord, 2.5 m: 1 pc	
F0008	Fuse, 1 A: 2 pcs	T1A250V
F0045	Fuse, 2 A: 1 pc	MF51NN250V2ADC01
W0019CE	ML910B Instruction Manual: 1 copy	
	Optical sensors	
MA9801A	Optical Power Sensor	0.38 to 1.15 μm , -90 to 0 dBm
MA9301A	Optical Power Sensor	0.75 to 1.7 μm , -90 to 0 dBm
MA9802A	Optical Power Sensor	0.38 to 1.15 μm , -65 to +10 dBm
MA9302A	Optical Power Sensor	0.75 to 1.8 μm , -40 to +10 dBm
MA9807A	Feed-Through Power Sensor	0.5 to 1.15 μm , -65 to +10 dBm, for optical fiber
MA9307A	Feed-Through Power Sensor	0.75 to 1.7 μm , -60 to +3 dBm, for optical fiber
MA9305B	Optical Power Sensor	0.75 to 1.7 μm , -60 to +3 dBm
	Optical accessories	
MA9001A	Connector Adaptor with FC-type Connector	FC-type, for MA9802A or MA9302A
MA9001A-21	Connector Adaptor with D4-type Connector	D4 type, for MA9802A or MA9302A
MA9013A	Fiber Adaptor with FC-type Plug	With FC ³ -type plug, for fibers with 125 μm clad dia. 0.3 to 1 mm jacket dia.
MA9013A-21	Fiber Adaptor with D4-type Plug	With D4-type plug, for fibers with 125 μm clad dia. 0.3 to 1 mm jacket dia.
MA9002A	Adaptor	For MA9802A or MA9302A (fits to the MP93A)
MP93A	Fiber Adaptor	For fibers with clad diameters of less than 150 μm 0.8 to 1.0 mm jacket dia.
MA9805A	Optical Attenuator	Used with MA9802A (attenuation: 10 dB)
MA9306A	Optical Attenuator	Used with MA9302A (attenuation: 10 dB)
MA9005A-21	Protective Connector Adaptor	D4-type, for MA9305B
J0377	Sensor Connecting Cord E	For MA912A/B Optical Power Sensor
B0268	Front Cover	
J0007	GPIB Cable, 1 m	
J0008	GPIB Cable, 2 m	

*1 Sensor connecting cord A: for MA9801A or MA9301A

*2 Sensor connecting cord B: for MA9802A, MA9302A, MA9807A, MA9307A and MA9305B

*3 FC-type to D4-type optical connector modification: specify option 21.



Specifications are subject to change without notice.

**ANRITSU CORPORATION
MEASUREMENT SOLUTIONS**

5-10-27, Minamiazabu, Minato-ku, Tokyo 106-8570, Japan
Phone: +81-3-3446-1111
Telex: J34372
Fax: +81-3-3442-0235

● **U.S.A.**
ANRITSU COMPANY

North American Region Headquarters
1155 East Collins Blvd., Richardson, Tx 75081, U.S.A.
Toll Free: 1-800-ANRITSU (267-4878)
Phone: +1-972-644-1777
Fax: +1-972-671-1877

● **Canada**
ANRITSU ELECTRONICS LTD.

Unit 102, 215 Stafford Road West
Nepean, Ontario K2H 9C1, Canada
Phone: +1-613-828-4090
Fax: +1-613-828-5400

● **Brasil**
ANRITSU ELETRÔNICA LTDA.

Praia de Botafogo 440, Sala 2401 CEP 22250-040,
Rio de Janeiro, RJ, Brasil
Phone: +55-21-5276922
Fax: +55-21-537-1456

● **U.K.**
ANRITSU LTD.

200 Capability Green, Luton, Bedfordshire LU1 3LU, U.K.
Phone: +44-1582-433200
Fax: +44-1582-731303

● **Germany**
ANRITSU GmbH
Grafenberger Allee 54-56, 40237 Düsseldorf, Germany
Phone: +49-211-96855-0
Fax: +49-211-96855-55

● **France**
ANRITSU S.A.
9, Avenue du Québec Z.A. de Courtabœuf 91951 Les
Ulis Cedex, France
Phone: +33-1-60-92-15-50
Fax: +33-1-64-46-10-65

● **Italy**
ANRITSU S.p.A.
Via Elio Vittorini, 129, 00144 Roma EUR, Italy
Phone: +39-06-509-9711
Fax: +39-06-502-24-25

● **Sweden**
ANRITSU AB
Botvid Center, Fittja Backe 1-3 145 84 Stockholm,
Sweden
Phone: +46-853470700
Fax: +46-853470730

● **Spain**
ANRITSU ELECTRÓNICA, S.A.
Europa Empresarial Edificio Londres, Planta 1, Oficina
6 C/ Playa de Liencres, 2 28230 Las Rozas. Madrid,
Spain
Phone: +34-91-6404460
Fax: +34-91-6404461

● **Singapore**
ANRITSU PTE LTD.
10, Hoe Chiang Road #07-01/02, Keppel Towers,
Singapore 089315
Phone: +65-282-2400
Fax: +65-282-2533

● **Hong Kong**
ANRITSU COMPANY LTD.
Suite 719, 7/F., Chinachem Golden Plaza, 77 Mody
Road, Tsimshatsui East, Kowloon, Hong Kong, China
Phone: +852-2301-4980
Fax: +852-2301-3545

● **Korea**
ANRITSU CORPORATION
14F Hyun Juk Bldg. 832-41, Yeoksam-dong,
Kangnam-ku, Seoul, Korea
Phone: +82-2-553-6603
Fax: +82-2-553-6604~5

● **Australia**
ANRITSU PTY LTD.
Unit 3/170 Forster Road Mt. Waverley, Victoria, 3149,
Australia
Phone: +61-3-9558-8177
Fax: +61-3-9558-8255

● **Taiwan**
ANRITSU COMPANY INC.
6F, 96, Sec. 3, Chien Kou North Rd. Taipei, Taiwan
Phone: +886-2-2515-6050
Fax: +886-2-2509-5519