

Errata

This manual may contain references to HP or Hewlett-Packard. Please note that Hewlett-Packard's former test and measurement, semiconductor products and chemical analysis businesses are now part of Agilent Technologies. To reduce potential confusion, the only change to product numbers and names has been in the company name prefix: where a product number/name was HP XXXX the current name/number is now Agilent XXXX. For example, model number HP8648 is now model number Agilent 8648.

Ce manuel peut contenir des références à <<HP>> ou <<Hewlett-Packard.>> Veuillez noter que les produits de test et mesure, de semi-conducteur et d'analyse chimique qui avaient fait partie de la société Hewlett-Packard sont maintenant une partie de la société Agilent Technologies. Pour réduire la confusion potentielle, le seul changement aux noms de référence a été dans le préfixe de nom de société : là où un nom de référence était HP XXXX, le nouveau nom de référence est maintenant Agilent XXXX. Par exemple, le HP 8648 s'appelle maintenant Agilent 8648.

Diese Gebrauchsanweisung kann Bezug nehmen auf die Namen HP oder Hewlett-Packard. Bitte beachten Sie, dass ehemalige Betriebsbereiche von Hewlett-Packard wie HP-Halbleiterprodukte, HP-chemische Analysen oder HP-Test- und Messwesen nun zu der Firma Agilent Technology gehören. Um Verwirrung zu vermeiden wurde lediglich bei Produktname und - Nummer der vor laufende Firmenname geändert: Produkte mit dem Namen/Nummer HP XXXX lauten nun mehr Agilent XXXX. Z.B. das Modell HP 8648 heißt nun Agilent 8648.

Questo manuale potrebbe contenere riferimenti ad HP o Hewlett-Packard. Si noti che le attività precedentemente gestite da Hewlett-Packard nel campo di Test & Misura, Semiconduttori, ed Analisi Chimica sono ora diventate parte di Agilent Technologies. Al fine di ridurre il rischio di confusione, l'unica modifica effettuata sui numeri di prodotto e sui nomi ha riguardato il prefisso con il nome dell'azienda : dove precedentemente compariva "HP XXXX" compare ora "Agilent XXXX". Ad esempio: il modello HP8648 è ora indicato come Agilent 8648.

Este manual puede hacer referencias a HP o Hewlett Packard. Las organizaciones de Prueba y Medición (Test and Measurement), Semiconductores (Semiconductor Products) y Análisis Químico (Chemical Analysis) que pertenecían a Hewlett Packard, ahora forman parte de Agilent Technologies. Para reducir una potencial confusión, el único cambio en el número de producto y nombre, es el prefijo de la compañía: Si el producto solía ser HP XXXX, ahora pasa a ser Agilent XXXX. Por ejemplo, el modelo HP8648 es ahora Agilent 8648.

这个手册里面可能含有惠普公司的资料。请注意惠普公司以前的测试, 半导体产品, 化学分析部门现在属于安捷伦公司。为了减少可能的误解, 产品号码和名字只改变最前面的公司名字。如果一个产品的号码/名字以前是HP XXXX, 现在的号码/名字是安捷伦 XXXX。例如模型号码是惠普8648。现在是模型号码安捷伦8648。

Document Part Number 84812-90003
Printed in the US May 1993



Agilent Technologies

マニュアル・チェンジ

変更

本文中の「HP (YHP)」、または「(横河)ヒューレット・パッカー株式会社」という語句を、「Agilent」、または「アジレント・テクノロジー株式会社」と変更してください。

ヒューレット・パッカー社の電子計測、半導体製品、化学分析ビジネス部門は分離独立し、アジレント・テクノロジー社となりました。

社名変更に伴うお客様の混乱を避けるため、製品番号の接頭部のみ変更しております。

(例: 旧製品名 HP 4294A は、現在 Agilent 4294A として販売いたしております。)

Operating and Service Manual
HP 84812A/13A/14A
Peak Power Sensor

SERIAL NUMBERS

Affixed to the instrument is a serial number label. The serial number is in the form: 0000A00000. The first four digits and the letter are the serial number prefix. The last five digits are the suffix. The prefix is the same for identical instruments; it changes only when a configuration change is made to the instrument. The suffix, however, is assigned sequentially and is different for each instrument.

This manual applies to instruments with following serial number prefixes:

HP 84812A: 3113A

HP 84813A: To be assigned.

HP 84814A: To be assigned.



HP Part No. 84812-90003

© HEWLETT-PACKARD COMPANY 1991

1501 Page Mill Road, Palo Alto, California

Printed in USA

About the Sensor

Sensor Description

The HP 84812A, 84813A, and 84814A Peak Power Sensors are specifically designed to be used with the HP 8990A Peak Power Analyzer. Together, any of the three Sensors and the analyzer comprise the power measurement system which senses and displays envelope power in the range of -32 to +20 dBm.

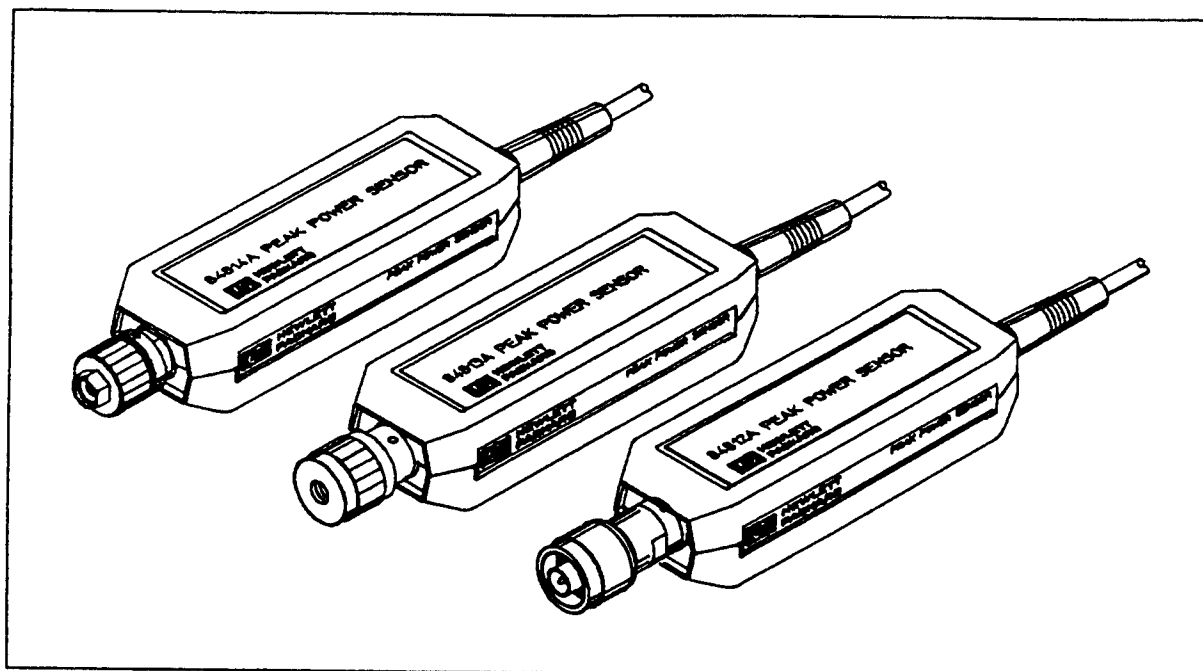


Figure 2-1. The Peak Power Sensors

Figure 2-1 shows the Peak Power Sensors.

Balanced Planar Doped Barrier (PDB) diodes are the sensing elements of the Peak Power Sensors. They

provide a specified dynamic range of -32 to +20 dBm (usable to -40 dBm). The Peak Power Sensors also contain a wideband, high dynamic range sensor amplifier which allows for very fast system risetime. Excellent SWR is provided by the integrated matching network and diodes.

Peak Power Sensor calibration data is automatically loaded from the Sensor EEPROM to the HP 8990A Peak Power Analyzer. Thus, the user is not required to perform a manual Sensor calibration.

Options

The options listed here apply to the HP 84812A, 84813A or 84814A Peak Power Sensors.

Option 001 provides a 6.1 metre (20 ft) sensor cable.

Note



The specified risetime for an HP 8990A using a Sensor with the Option 001 (20 ft Sensor cable) is <10 ns. Risetime is <5 ns using the standard (5 ft) Sensor cable.

Option 1BN provides a MIL STANDARD 45662A calibration certificate with your sensor.

Adapters Available

Type-N (m) to 3.5 mm (f):

HP Part No. 08485-60005 (Recommended to 1 GHz.)
HP Part No. 1250-1744

Type-N (m) to 2.4 mm (f):

HP Part No. 08487-60001 (Recommended to 1 GHz.)
HP Part No. 11903D

Specifications

Specifications are those parameters against which the Peak Power Sensors can be tested. General characteristics are parameters included as useful information. Table 2-1 lists the specifications and general characteristics of the Sensors.

Table 2-1. Peak Power Sensors Specifications

Specifications	
Frequency Range 84812A:	500 MHz to 18 GHz
Frequency Range 84813A:	500 MHz to 26.5 GHz
Frequency Range 84814A:	500 MHz to 40 GHz
Dynamic Range:	-32 to +20 dBm (Usable to -40 dBm.)
Sensor Calibration	< 4 GHz: $\pm 3.6\%$
RSS Uncertainty:	< 12 GHz: $\pm 3.8\%$
	< 18 GHz: $\pm 4.3\%$
	< 26.5 GHz: $\pm 5.5\%$
	< 40 GHz: $\pm 6.5\%$
Input SWR, max (Reflection Coefficient):	500 MHz to 18 GHz: 1.25 (0.11) 18 to 26.5 GHz: 1.35 (0.15) 26.5 GHz to 40 GHz: 1.60 (0.23)
Maximum Power Input:	1 W peak power for 1 μ s, not to exceed 200 mW (CW)
Operating Temperature:	0°C to +55°C
Acoustic Noise Emissions:	No Fan Installed
Geraeuschemission:	Kein Ventilator Eingebaut

Table 2-1. Peak Power Sensors Specifications (continued)

General Characteristics	
Connector HP 84812A:	Type-N Male
Connector HP 84813A:	APC-3.5 mm Male
Connector HP 84814A:	2.4 mm Male
Sensor Cable Length:	1.5 M (5 ft)
Option 001:	6.1 M (20 ft)
Calibration Interval:	18 months
Parameters Corrected for:	Frequency, Temperature, and Power Non-linearity.
Dimensions HP 84812A:	27mm H, 37mm W, 137mm L (1.05" x 1.45" x 5.4")
Dimensions HP 84813A:	27mm H, 37mm W, 127mm L (1.05" x 1.45" x 5.0")
Dimensions HP 84814A:	27mm H, 37mm W, 127mm L (1.05" x 1.45" x 5.0")
Weight:	Net: 0.35 kg (0.8 lb); Shipping: 1 kg (2 lb)
Option 001:	Net: 0.8 kg (1.5 lb); Shipping: 1.5 kg (3 lb)

Calibration

Introduction After 18 months of normal use, your HP 84812A, 84813A or 84814A Peak Power Sensor should be calibrated.

Before attempting calibration, make sure your Sensor passes the operating check located in chapter 3, Inspection of the Sensor.

There are three ways you can calibrate your Sensor:

- Perform this calibration procedure.
 - Refer to the list of required equipment in Table 6-1 to determine if you have the resources needed to calibrate your sensor.
- Replace your Sensor with an exchange Sensor module. The exchange Sensor module is restored to original condition with a factory calibration. See Table 5-4 Exchange Sensor modules.
- Send your Sensor back to HP for a factory calibration.

If you choose to return your sensor to HP for calibration or replacement, call your nearest HP Sales or Support office listed inside the back cover of this manual to get cost and time estimates.

If you choose to perform your own calibration, continue reading.

Table 6-1. Recommended Calibration Test Equipment

Instrument Type	Critical Specifications	Suggested Model
Peak Power Analyzer	No substitute	HP 8990A
HP-IB Controller	Interface capabilities as defined by IEEE Compatibility Code (Std 488.2-1988): SH1, AH1, T5, L4, SR1, RL1, PP1, DC1, DT1, C0, and E2.	HP 9000 Series 200/300
Software	HP Basic Operating System	HP Basic 3.0 or greater
Network Analyzer System	500 MHz to 26.5 GHz 500 MHz to 40 GHz	HP 8510B HP 8510C
S Parameter Test Set	Compatible with frequency range of Network Analyzer	HP 8515A HP 8517A
Signal Generator	500 MHz to 26.5 GHz ≤ -50 dBc harmonics and spurious signals 500 MHz to 40 GHz ≤ -50 dBc harmonics and spurious signals	HP 8673D HP 83640A
Power Splitter	Reflection RSS Uncertainty < 0.03 Standards Laboratory Calibration	
2.4 mm	(HP 84814A, only)	HP 11760S K13
3.5 mm	(HP 84813A, only)	HP 11760S K05
Type N	(HP 84812A, only)	HP 11760S K03
Average Power Meter	2 each. No substitute	HP 437B
Average Sensor	Power Range: 1 μW to 100 mW	
2.4 mm	Compatible with HP 437B. (HP 84814A, only) Freq. Range: 500 MHz to 40 GHz	HP 8487A
3.5 mm	Compatible with HP 437B. (HP 84813A, only) Freq. Range: 500 MHz to 26.5 GHz	HP 8485A
Type-N	Compatible with HP 437B. (HP 84812A, only) Freq. Range: 500 MHz to 18 GHz	HP 8481A

Table 6-1. Recommended Calibration Test Equipment (continued)

Instrument Type	Critical Specifications	Suggested Model
Standardized Sensor 2.4 mm 3.5 mm Type N	Standards Lab calibrated average sensor. Compatible with average power meter. Max SWR at 50 MHz \leq 1.15 (HP 84814A) Max SWR at 50 MHz \leq 1.15 (HP 84813A) Max SWR at 50 MHz \leq 1.15 (HP 84812A) Cal Factor Calibration Uncertainty (RSS): 2 — 4 GHz: $<\pm 1.57\%$ 4 — 12 GHz: $<\pm 1.89\%$ 12 — 18 GHz: $<\pm 2.22\%$ 18 — 26.5 GHz: $<\pm 2.50\%$ 26.5 — 40 GHz; $<\pm 3.40\%$ Reflection Coefficient Uncertainty (RSS): 2 — 4 GHz: <0.014 4 — 12 GHz: <0.015 12 — 18 GHz: <0.02 18 — 26.5 GHz: <0.029 26.5 — 40 GHz; <0.025	 HP 8487A H84 HP 8485A H84 HP 8481A H84
Calibration Kit 2.4 mm 3.5 mm Type N	HP 84814A (only) HP 84813A (only) HP 84812A (only)	 HP 85056D HP 85052D HP 85032B

Preparing for Calibration

Before beginning the procedure, the HP 8990A should be ON and warmed up for at least one hour. After the initial warmup period, calibrate the analyzer by:

- Toggle the rear panel **CALIBRATOR** switch to the UNPROTECTED position.
- **UTIL** key
- **more** display softkey,
- **instr cal menu**
- Perform a vertical calibration

The Peak Power Analyzer display will prompt you through the instrument calibration. After the Peak Power Analyzer is calibrated, it is important that the Peak Power Analyzer and sensor remain at the same environmental conditions (room temperature within 5°C) throughout the sensor calibration procedure.

Note



Check the Peak Power Sensor warranty. If the Peak Sensor is under warranty, follow the procedure Returning the Sensor in chapter 3. If the Sensor is not under warranty, an exchange Sensor module is the recommended method of repair.

Calibration Outline

If the sensor fails at any of the steps below, send the Sensor back to HP for repair. **Do not attempt to repair the Sensor yourself.**

- Step 1. Use the controller to read the list of calibration frequencies.
 - Record the calibration frequencies in Table 6-2.
- Step 2. Use the HP 8510B/C to measure Peak Sensor reflection.
 - If the Peak Sensor reflection coefficient measurement fails to meet specifications, (see Table 2-1, Specification) then the Sensor should not be calibrated and should be repaired.
- Step 3. Measure power levels at the calibration frequencies.
- Step 4. Calculate and record transfer cal factors.
- Step 5. Use the controller to download the transfer cal factors.
- Step 6. Test the Sensor at different power levels.

Note



The accuracy of the following calibration depends upon how accurately you make connections to the test equipment. See Application Note 326 *Principles of Microwave Connector Care* (HP Part Number 5954-1566), or *Microwave Connector Care* (HP Part Number 08510-90064).

Read Peak Power Sensor Calibration Frequencies

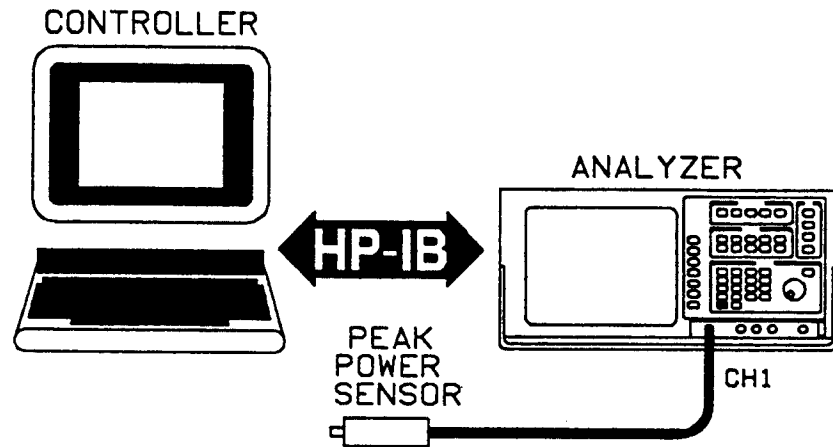


Figure 6-1. Controller Setup

This is the first step of the calibration procedure. Use a controller via HP-IB to download from the Sensor EEPROM the frequencies at which the Sensor should be calibrated. These frequencies are known as calibration frequencies. Record the frequencies in a photocopy of Table 6-2 located near the end of this book.

Note



If the calibration is to be successful, any previous "field calibration" should remain in an **off** condition during the entire procedure. See step "1" in this procedure.

The following program is written in HP Basic 3.0 using an HP 9000 Series 200/300 Controller. Refer to the HP 8990A Programming Manual for more detailed programming information.

Caution

DO NOT disconnect the sensor or cycle power while executing any read or write function to the Peak Power Sensor EEPROM. If this happens, the Peak Power Sensor EEPROM will be erased. This condition is not user repairable. The Peak Power Sensor must be sent back to Hewlett-Packard for calibration.

Procedure

1. Turn OFF "field cal" under the "service menu".
Press:
 - a. Press **UTIL**
 - b. Press **service menu**
 - c. Toggle **cal select** until **5** is highlighted
 - d. Toggle **field cal off/on** softkey until **off** is highlighted.
2. Connect the controller via HP-IB to the HP 8990A Analyzer.
3. Connect your Peak Power Sensor to Channel 1 of the analyzer.
4. Type in and save the following program to read the calibration frequencies.
5. The frequencies that will be displayed are the Calibration Frequencies. Record the frequencies in the **Freq.** column of Table 6-2 located in the Data Tables section near the end of this book.

```

10 DIM Flist(50),A$[300]
20 ASSIGN @A TO 707
30 !
40 ! 707 is HP 8990A default HP-IB Address
50 !
60 OUTPUT @A;" :CAL:FIELD:POINTS? CHAN1"
70 !

```

Peak Power Sensors

HP 84812/13/14A

```
80      ! Queries Sensor for number of calibration freq
90      !
100     ENTER @A;N
110     PRINT "CHAN1 #of field cal points: ";N
120     REDIM Flist(1:N)
130     OUTPUT @A;":CAL:FIELD:FREQUENCY? CHAN1"
140     !
150     ! Queries Sensor for the frequencies
160     !
170     ENTER @A;Flist(*)
180     PRINT "Calibration Frequency List:"
190     !
200     ! Calibration frequencies are reported.
210     !
220     IMAGE 2X,DD.DD," GHz"
230     FOR I=1 TO N
240     PRINT USING 220;Flist(I)/1.E+9
250     NEXT I
260     END
```

Measure Reflection Coefficient

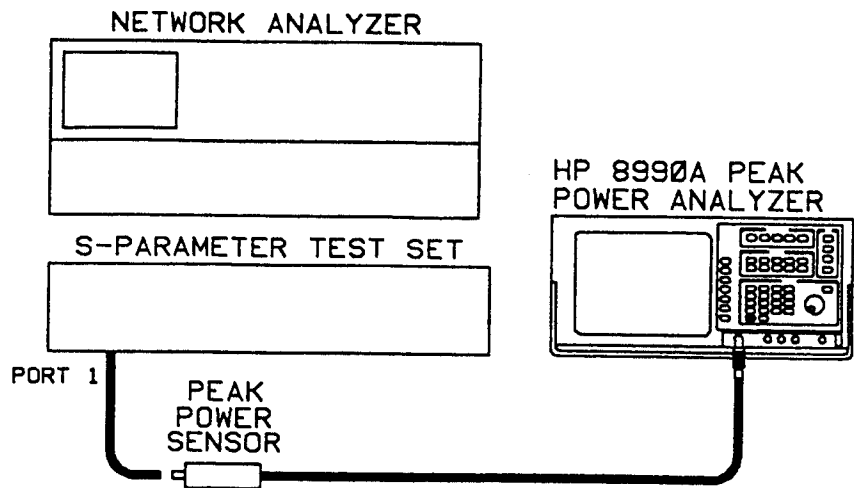


Figure 6-2.
Measure Reflection Coefficient- Equipment Setup

This is the second step of the calibration procedure. The method for measuring both reflection magnitude (Γ : pronounced "gamma") and reflection phase ($\angle\Gamma$) of your Peak Power Sensor using an HP 8510B/C Network Analyzer is described here.

Test Equipment:

Equipment	Recommended
Network Analyzer	HP 8510B/C
S parameter Test Set	HP 8515A / 8517A
2.4 mm Calibration Kit	HP 85056D (HP 84814A)
3.5 mm Calibration Kit	HP 85052D (HP 84813A)
Type N Calibration Kit	HP 85032B (HP 84812A)
RF Source	Compatible with HP 8510B/C

Description

A one port calibration is performed on the network analyzer. This allows for a fully error-corrected reflection measurement on the sensor. A 50 Ohm load, a short, and a shielded open are the standards necessary for this calibration.

Once the network analyzer is calibrated, the reflection coefficient is measured at the frequency of interest.

Note

There are several different methods to use your network analyzer to perform SWR measurements. The procedure that follows has been simplified. Using sliding loads and frequency lists could improve the accuracy of the results. Refer to your HP 8510B/C Operating Manual.

Procedure

1. Connect the Peak Sensor to the HP 8990A.
2. Setup the Network Analyzer as described in your Network Analyzer manual.
 - a. Attach the appropriate 2.4mm, APC 3.5mm or Type N adapters to the network analyzer Port 1 Output.
 - b. Preset the network analyzer: press **PRESET**.
 - c. Under STIMULUS:
 - i. Press **MENU**.
 - ii. Press **STEP** softkey.
 - iii. From the display select a frequency resolution of at least 201 points.
 - iv. Press **Start**.
 - v. On the keypad, enter the lowest calibration frequency.
 - vi. Press **Stop**.
 - vii. Enter the highest calibration frequency.

- d. Under MENUS, press **CAL**
3. Calibrate the network analyzer according to your network analyzer manual. For example:
 - a. Select the 2.4 mm, 3.5 mm or Type N calibration from the softkey menu. For example: Press **3.5 mm B.1.**

Note

If the calibration is not displayed follow the Network Analyzer Operating manual to load your calibration.

- b. Press **S11 1 PORT** display key. The display should assign OPEN, SHORT, LOAD to display keys.
- c. Connect the OPEN from your calibration kit.
- d. Press **OPEN**. The display key will underline when complete.
- e. Connect the SHORT from your calibration kit.
- f. Press **SHORT**. The display key will underline.
- g. Connect the LOAD.
- h. Press **LOAD**.
- i. Press **BROADBAND**. The display key will underline.
- j. Press **Done LOADS**.
- k. Press **SAVE 1 PORT CAL**.

Note

You may have to delete a file to save your file.

- l. Select one of the files displayed to save the calibration.
4. Measure the reflection coefficient of the Peak Sensor.

- a. Connect the Peak Power Sensor to Port 1.
- b. Under RESPONSE, press **MENU**.
- c. Press **AVERAGING ON/restart**. The softkey will underline.
- d. Enter **1**, **6**, **X1** on the numbered keypad.
- e. Under FORMAT, press **MENU**.
- f. Press **LINEAR MAGNITUDE**. The softkey will underline.
- g. Under MENUS, press **MARKER**.

Note

In the next step you should make a photocopy of Table 6-2, Table 6-3, Table 6-4, and Table 6-5 before entering data.

- h. Enter each calibration frequency on the Network Analyzer numbered keypad and record the reading in the Γ_{dut} column in Table 6-2. The reading is found in the upper left corner of the network analyzer display. Although the reading is in milli-Units, for calculation purposes, record the reading in Units (move the decimal 3 places to the left).
- i. At this time select and enter one non-calibration frequency, as well. A non-calibration frequency is any frequency within the range of the sensor that is not used to calibrate the sensor. This non-calibration frequency magnitude and phase measurement will be used in the Power Variation Test to make sure the sensor measures power correctly at non-calibrated frequencies. Record this frequency and magnitude measurement in the Γ_{dut} column of Table 6-3.
- j. Under FORMAT, press **PHASE**.

- k. Enter each calibration frequency and record the phase reading in the $\angle\Gamma_{\text{dut}}$ column of Table 6-2. The reading is found in the upper left corner of the network analyzer display.
- l. Take a phase measurement at your non-calibration frequency and record the reading in the $\angle\Gamma_{\text{dut}}$ column of Table 6-3.

Refer to Table 2-1 Specifications. The reflection coefficient magnitude measurement (Γ_{dut} in Table 6-2) must be less than the maximum reflection coefficient specification *at every calibration frequency*.

If the reflection coefficient is greater than the specifications in Table 2-1, the Sensor fails calibration and should be repaired. Refer to the first part of chapter 5, Service, in this manual for Peak Sensor repair alternatives.

Measure Power Levels

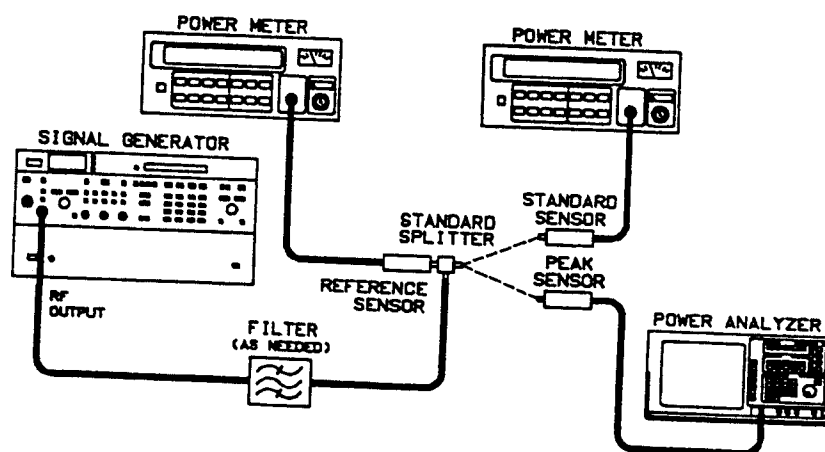


Figure 6-3. Power Level Measurement Setup

Description

This is the third step of the calibration procedure. A known CW power level at each calibration frequency is measured through a Standards Laboratory calibrated power splitter by a "reference" average power sensor and compared to a Standards Laboratory calibrated average power sensor. The Standards Laboratory calibrated sensor is replaced by the Peak Power Sensor "device under test (DUT)". The signal power level is measured again by both the reference power sensor and the Peak Sensor.

Equipment

- Signal Generator: HP 8673C (HP 84812A, only)
- Signal Generator: HP 8673D (HP 84812A or 84813A)
- Signal Generator: HP 83640A (HP 84814A)
- Peak Power Analyzer: HP 8990A
- Average Power Meters (2): HP 437B
- Standards Lab Calibrated Splitter: HP 11760S K03 (HP 84812A, only)
- Standards Lab Calibrated Splitter: HP 11760S K05 (HP 84813A, only)
- Standards Lab Calibrated Splitter: HP 11760S K13 (HP 84814A, only)

- Standards Lab Calibrated Sensor: HP 8481A H84 (HP 84812A,only)
- Standards Lab Calibrated Sensor:HP 8485A H84 (HP 84813A,only)
- Standards Lab Calibrated Sensor:HP 8487A H84 (HP 84814A,only)
- Average Sensor: HP 8481A (HP 84812A,only)
- Average Sensor: HP 8485A (HP 84813A,only)
- Average Sensor: HP 8487A (HP 84814A,only)

Note

Filter(s) may be required to get harmonics and spurious signals of the signal generator below the -50 dBc limit of the carrier frequency signal.

Preparation

1. Enter the calibration factor table from your average power sensor labels into each HP 437B Power Meter according to the HP 437B operating manual. This will allow the average power meters to automatically interpolate for unlisted cal factor frequencies. To find out how to enter sensor cal factor tables look under "Sensor" and "Sensor Data" in chapter 3, Detailed Operating Instructions in the HP 437B Operating Manual.
2. Zero and calibrate your average power sensors according to the instructions in your power meter operating manual.
3. *Reminder* The HP 8990A should be warmed up and calibrated. Preset and zero the Analyzer and Peak Power Sensor by pressing the following keys: (The Peak Sensor must not be connected to any signal.)
 - a. Press **LOCAL**.
 - b. Preset the analyzer: press **RECALL**, then **CLEAR**.
 - c. Under MENUS, press **DISPLAY**.
 - d. On the display keys press **DISPLAY** until the **avg** is highlighted.
 - e. Use the knob to enter 16.

- f. Under MENUS, press **CHAN/VERT**.
- g. Press **sensor zero**.
- h. Wait a moment. The Analyzer display should respond with:

sensor zero completed

Procedure

1. Set up your system as shown in Figure 6-3. Connect the STANDARD SENSOR (standards lab calibrated average power sensor) to the calibrated port of the splitter. The calibrated port is identified on the calibration report from the calibration lab.
2. Set the signal generator to the calibration frequency of interest. See Table 6-2.
3. Enter the calibration frequency into both average power meters.
4. Adjust the signal generator output power level until the reference average power meter reads $1 \text{ mW} \pm 0.005 \text{ mW}$.
5. Record in Table 6-2 data table the average power, P_{std} and P_{ref} , as measured by the standard sensor and the reference sensor, respectively.
6. Repeat steps 2 through 5 for each calibration frequency.
7. Replace the standard power sensor and meter with the Peak Power Sensor to be calibrated and HP 8990A Peak Power Analyzer. Refer to Figure 6-3.
8. Take a CW power measurement with the peak power analyzer, press:
 - a. Press **AUTOSCALE**.
 - b. Press **Blue** shift key.
 - c. Press **avg** on the keypad.

- d. Press **1** on the keypad.
9. On the peak power analyzer, under MENUS, press **CARRIER FREQ**.
10. Set the signal generator to the calibration frequency of interest. See Table 6-2.
11. Enter the calibration frequency on the analyzer keypad.
12. On the reference (average) power meter enter the calibration frequency.
13. Adjust the signal generator output power level until the reference average power meter reads approximately 1 mW.
14. Record in Table 6-2 the reference power meter reading (P'_{ref}) and the peak analyzer reading (P_{dut}). The reading appears in the lower left area of the peak analyzer display.
15. Repeat steps 10 through 14 for each calibration frequency.
16. Leave the test setup intact while you perform the Calculate Transfer Cal Factors and Download Transfer Cal Factors procedures.

Calculate Transfer Cal Factor Percentage

This is the fourth step in the calibration procedure. This procedure uses the measurements you have just made in the second step (where you measured reflection coefficient) and third step (where you measured power levels) to calculate the transfer calibration factor percentages (Cf) you will download to the Sensor EEPROM in step 5.

Note



Due to the complexity of the calculations, we suggest using the Calculating Cf Program (HP Basic 3.0 or greater have the necessary math functions) the end of this procedure. The Calculating CF Example can be used as a guide to help you to use one of the popular spreadsheet programs available for personal computers.

Calculate Cf

1. Calculate the incident power level to the standard sensor.

$$P_{ist} = P_{std} |(1 - \Gamma_{std} \Gamma_{sp})^2|$$

where:

$\Gamma_{std} \Gamma_{sp}$ is a complex number (see Calculating Cf Example).

$P_{ist} \equiv$ incident power to the standard sensor

$P_{std} \equiv$ power measured by the standard sensor

$\Gamma_{std} \equiv$ reflection coefficient of standard sensor

$\Gamma_{sp} \equiv$ equivalent source match of splitter

$\Gamma, \text{ gamma}, \equiv |\Gamma|, \angle \Gamma$

2. Calculate the incident power level on the DUT sensor.

$$P_{idut} = \frac{(P'_{ref})(P_{ist})}{P_{ref}}$$

where:

$P_{idut} \equiv$ incident power to the DUT sensor

$P'_{ref} \equiv$ power measured by reference sensor with DUT sensor

$P_{ref} \equiv$ power measured by reference sensor with standard sensor.

3. Calculate theoretical power to the DUT sensor.

$$P_d = \frac{P_{idut}}{|(1 - \Gamma_{sp}\Gamma_{dut})^2|}$$

where:

$P_d \equiv$ theoretical power to the DUT sensor.

$\Gamma_{dut} \equiv$ complex reflection coefficient of DUT

4. Calculate the cal factor percentage (Cf)

$$Cf = \left(\frac{P_{dut}}{P_d} \right) (100)$$

where:

Cf \equiv transfer calibration factor

$P_{dut} \equiv$ power measured by the DUT

Calculating Cf Example

This is an example of a transfer cal factor calculation for a hypothetical calibration frequency of 16 GHz.

- The values Γ_{sp} and $\angle\Gamma_{sp}$ are from the standards laboratory calibration report for the splitter.
- The values Γ_{std} and $\angle\Gamma_{std}$ are from the standards laboratory calibration report for the standard sensor.
- The values Γ_{dut} and $\angle\Gamma_{dut}$ are from step 2 of this calibration procedure.
- The values P_{std} , P_{ref} , P_{dut} , and P'_{ref} , are from step 3 of this calibration procedure.

Given the following data:

From Table 6-2 Calibration Factor at Calibration Frequency Data
Table

Freq. (GHz)	Γ_{sp}	$\angle\Gamma_{sp}$	Γ_{std}	$\angle\Gamma_{std}$	Γ_{dut}	$\angle\Gamma_{dut}$	P_{std} (mW)	P_{ref} (mW)	P_{dut} (mW)	P'_{ref} (mW)	Cf (%)
16	.0638	-136.9	.053	104.7	.0392	94.484	1.008	1	.968	1	

1. Using the following formula:

$$P_{ist} = P_{std}|(1 - \Gamma_{std}\Gamma_{sp})^2|$$

We convert the complex number

$$\Gamma_{std}\Gamma_{sp}$$

by modifying the formula to:

$$P_{ist} = P_{std}[(1 - |\Gamma_{std}\Gamma_{sp}|\cos(\angle\Gamma_{std} + \angle\Gamma_{sp}))^2 + (|\Gamma_{std}\Gamma_{sp}|\sin(\angle\Gamma_{std} + \angle\Gamma_{sp}))^2]$$

Substituting data into this formula we get:

$$P_{ist} = 1.008[(1 - (.053)(.0638)\cos(104.7 - 136.9))^2 + ((.053)(.0638)\sin(104.7 - 136.9))^2]$$

This gives us incident power to the standard sensor
as:

$$P_{ist} = 1.003184866$$

2. Using the formula:

$$P_{idut} = \frac{(P'_{ref})(P_{ist})}{P_{ref}}$$

Substituting data into this formula we get:

$$P_{idut} = \frac{(1)(1.003184866)}{(1)}$$

This gives us power incident to the Peak Sensor as:

$$P_{idut} = 1.003184866$$

3. And using the following formula:

$$P_d = \frac{P_{idut}}{|(1 - \Gamma_{sp}\Gamma_{dut})^2|}$$

We convert the complex numbers to get:

$$P_d = \frac{P_{idut}}{(1 - |\Gamma_{sp}\Gamma_{dut}|\cos(\angle\Gamma_{sp} + \angle\Gamma_{dut}))^2 + (|\Gamma_{sp}\Gamma_{dut}|\sin(\angle\Gamma_{sp} + \angle\Gamma_{dut}))^2}$$

Now substituting the data:

$$P_d = \frac{1.003184866}{(1 - (.0638)(.0392)\cos(-136.9 + 94.484))^2 + ((.0638)(.0392)\sin(-136.9 + 94.484))^2}$$

This gives us a theoretical power to the Peak Sensor as:

$$P_d = 1.003201168$$

4. Finally, using the formula:

$$Cf = \left(\frac{P_{dut}}{P_d} \right) (100)$$

Substituting the data:

$$Cf = \left(\frac{.968}{1.003201168} \right) (100)$$

This gives us a transfer cal factor percentage of:

96.5%

Calculating CF Program

Copy and save the following program to generate your transfer calibration factor percentages. The program will prompt you to enter the data for each frequency. Copy the resultant transfer cal factor percentages into the Cf (%) column of Table 6-2.

```
10 PRINT "The following program will calculate the cal factor."
20 INPUT "Enter the freq in GHz.",Freq
30 INPUT "Enter GAMMAsp:",Gamsp
40 INPUT "Enter the angle GAMsp:",Agamsp
50 INPUT "Enter GAMstd:",Gamstd
60 INPUT "Enter the angle GAMstd:",Agamstd
70 INPUT "Enter GAMdut:",Gamdut
80 INPUT "Enter the angle GAMdut:",Agamdut
90 INPUT "Enter Pstd:",Pstd
100 INPUT "Enter Pref:",Pref
110 INPUT "Enter Pdut:",Pdut
120 INPUT "Enter P'ref:",Pref2
130 PRINT "Please wait while I calculate the cal factor."
140 A=Gamstd*Gamsp
150 B=Agamstd+Agamsp
160 Pist=Pstd*((1-A*COS(B))^2+(A*SIN(B))^2)
170 Pidut=Pref2*Pist/Pref
180 C=Gamdut*Gamsp
190 D=Agamdut+Agamsp
200 Pd=Pidut/(1-C*COS(D))^2+(C*SIN(D))^2
210 Cf=Pdut/Pd*100
220 Cfpercent=PROUND(Cf,-1)
230 PRINT "The Cal Factor ";Freq;" GHz is: ";Cfpercent;" %."
240 INPUT "Enter 'Y' or 'y' if more calculation are required.",A$
250 If A$="Y" OR A$="y" THEN GOTO 20
260 PRINT "The calculations are complete."
270 END
```

Download Transfer Cal Factors

This procedure uses a program to download transfer calibration factor percentage (Cf) to the Sensor EEPROM.

Note



The Sensor EEPROM will round up the calibration factor percentage to the nearest 0.4%. For example: You enter 96.5 as a cal factor percentage for 16 GHz. Later, if you query the Sensor EEPROM using “:CAL:FIELD:DATA?”, the EEPROM will report a cal factor percentage of 96.8.

- Leave the equipment set up as shown in Figure 6-3, but connect the controller to the HP 8990A Peak Power Analyzer via HP-IB as shown in Figure 6-1.
- Download Cf to the Peak Power Sensor EEPROM using the following program.

Caution



DO NOT disconnect the sensor or cycle power while executing any read or write function to the Peak Power Sensor EEPROM. If this happens, the Peak Power Sensor EEPROM will be erased. This condition is not user repairable. The Peak Power Sensor must be sent back to Hewlett-Packard for calibration.

```

10  ! Transfer cal factor downloading program
20  DIM Flist(50), Clist(50)
30  ASSIGN @A to 707
40  !
50  ! Read number of field cal points.
60  !
70  OUTPUT @A;":CAL:FIELD:POINTS? CHAN1"
80  ENTER @A;N
90  PRINT "CHAN1 #of field cal points: ";N
100 !
110 ! Read field cal test frequencies.
120 !

```

```
130 REDIM Flist(1:N)                ! Make space for N freqs.
140 OUTPUT @A;":CAL:FIELD:FREQUENCY? CHAN1"
150 ENTER @A;Flist(*)                ! Get freq array.
160 !
170 ! Get correction factors from user.
180 !
190 REDIM Clist(1:N)                ! Make space for N values.
200 PRINT
210 PRINT "Correction Factors:"
220 FOR I=1 to N
230     IMAGE #,2X,DD.DD," GHz"
240     PRINT USING 230;Flist(I)/1.E+9
250     Clist(I)=100.0                ! Default.
260     INPUT "Enter the correction factor for this frequency:",Clist(I)
270     IMAGE 4X,DDD.DD
280     PRINT USING 270;Clist(I)
290 NEXT I
300 !
310 ! Send new cal factors out.
320 !
330 IMAGE #,":CAL:FIELD:DATA CHAN1,"
340 OUTPUT @A USING 330
350 IMAGE #,DDD.DD,", "                ! No linefeed, trailing comma.
360 FOR I=1 to N-1                    ! For each value except last....
370     OUTPUT @A USING 350;Clist(I) ! Each value get trailing comma.
380 NEXT I
390 OUTPUT @A;Clist(N)                ! Send final value, no comma.
400 !
410 PRINT "CF data has been entered."
420 END
```


Power Variation Testing

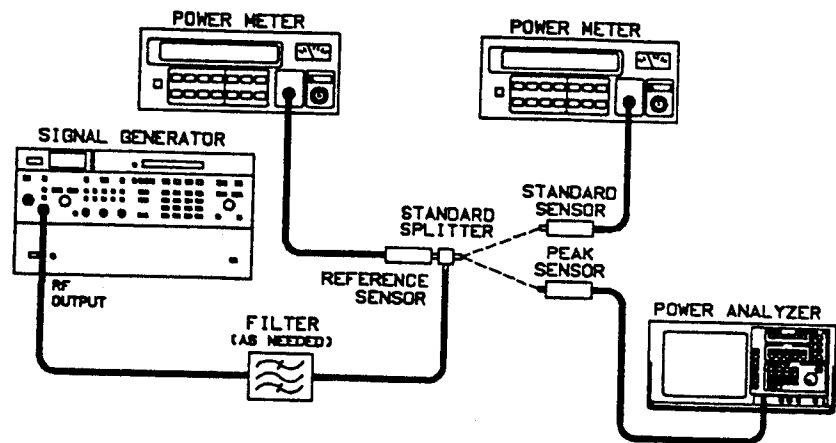


Figure 6-4. Power Level Variation Test

This is the sixth step of the calibration procedure.

In the procedures that follow, you will compare the results of your newly calibrated Peak Power Sensor to your calibrated average sensor and record your test results in a copy of Table 6-4 and Table 6-5.

Note



It is assumed your test equipment settings and setup are the same as what you used in Measure the Power Levels procedure, earlier.

Procedure

1. Set up your system as shown in Figure 6-4. Connect the Standard Sensor (standards lab calibrated average power sensor) to the calibrated port of the splitter.
2. Set the signal generator frequency to the frequency you entered in Table 6-3.
3. In Table 6-4 and Table 6-5, enter the same non-calibration frequency you entered in Table 6-3.
4. Enter the frequency into both average power meters.

5. Adjust the signal generator output power level until the reference average power meter reads approximately $100 \mu\text{W} \pm 5 \mu\text{W}$
6. Record in Table 6-4 the average power, P_{std} and P_{ref} , as measured by the standard sensor and the reference sensor, respectively.

2 mW to 10 mW Test with Standard Sensor

7. Adjust the signal generator power level until the reference power meter read (2 mW to $10 \text{ mW} \pm 0.05 \text{ mW}$).
8. Record in Table 6-5 the average power, P_{std} and P_{ref} , as measured by the standard sensor and the reference sensor, respectively.

With Peak Sensor

9. Replace the standard power sensor and meter with the Peak Sensor (DUT) and HP 8990A Peak Power Analyzer. Refer to Figure 6-4.
10. On the analyzer, press **LOCAL**.
11. Press **CARRIER FREQ**.
12. Enter the non calibration frequency on the Peak Analyzer keypad.
13. Adjust the signal generator power level output until the reference average power meter reads approximately $100 \mu\text{W} \pm 5 \mu\text{W}$
14. Press **AUTOSCALE** on peak power analyzer.
15. Take a CW power measurement with the peak power analyzer, press:
 - a. Press **Blue** shift key.
 - b. Press **avg** on the keypad.
 - c. Press **1** on the keypad.

16. Record in Table 6-4 the reference power meter reading (P'_{ref}) and the analyzer reading (P_{dut}).

2 mW Test with Peak Sensor

17. Adjust the signal generator power level you set in step 7.
18. Press **AUTOSCALE**.
19. Record in Table 6-4 the reference power meter reading (P'_{ref}) and the Peak analyzer CW power reading (P_{dut}).

Calculate %Error

20. Calculate the %Error using some of the same formulas you used in the Calculating Cf Example, earlier.

$$P_{ist} = P_{std} |1 - \Gamma_{std} \Gamma_{sp}|^2$$

$$P_{idut} = \frac{(P'_{ref})(P_{ist})}{P_{ref}}$$

$$P_d = \frac{P_{idut}}{|(1 - \Gamma_{sp} \Gamma_{dut})|^2}$$

$$\%Error = \left(\frac{P_d - P_{dut}}{P_d} \right) (100)$$

21. Record in Table 6-4 and Table 6-5.

Compare this %Error to the Sensor Calibration RSS uncertainty listed in Table 2-1. Remember the specification is range specific. For example, if you chose 9 GHz as your non-calibration frequency, compare the %Error to the specification for the < 12 GHz range. If the %Error is greater than the uncertainty specifications, the peak sensor fails calibration and must be repaired.

Note

If the %Error fails by less than two percent, repeating the complete calibration might improve the %Error. For example, if 9 GHz is your non-calibration frequency and your %Error is 5.8% or less, the error could be attributed to faulty connections. As noted earlier, follow the procedures in Application Note 326 when making or breaking connections.

Table 6-2. Calibration Factor at Calibration Frequencies Data Table

Freq. (GHz)	Γ_{sp}	$\angle\Gamma_{sp}$	Γ_{std}	$\angle\Gamma_{std}$	Γ_{dut}	$\angle\Gamma_{dut}$	P_{std} (mW)	P_{ref} (mW)	P_{dut} (mW)	P'_{ref} (mW)	Cf (%)

Table 6-3. Non-Calibration Frequency Data Table

Freq. GHz	Γ_{sp}	$\angle\Gamma_{sp}$	Γ_{std}	$\angle\Gamma_{std}$	Γ_{dut}	$\angle\Gamma_{dut}$

Table 6-4. 100 μ W Power Level Data Table

Freq. (GHz)	P_{std} (μ W)	P_{ref} (μ W)	P_{dut} (μ W)	P'_{ref} (μ W)	% Error

Table 6-5. 2 mW to 20 mW Power Level Data Table

Freq. (GHz)	P_{std} (mW)	P_{ref} (mW)	P_{dut} (mW)	P'_{ref} (mW)	% Error



Test Equipment CONNECTION 400 + Manufacturers
40,000 + Products

YOUR SINGLE SOURCE TEST & MEASUREMENT SOLUTION

NEW & USED TEST EQUIPMENT

- Rent Equipment
- Sell Equipment
- Lease Equipment
- Trade-In Equipment

Spectrum analyzers • Mobile phone testers • Oscilloscopes
Network analyzers • Service monitors • OTDR
• Multimeters - at great savings!

www.testequipmentconnection.com

Sales@Testequipmentconnection.com

USA Voice: (800) 615-8378

Voice Direct: (407) 804-1299

Skype: TestEquipmentConnection

Test Equipment Connection Corporation is your single source test & measurement solution. We offer over 400 test equipment manufacturers including Agilent, Tektronix, Anritsu, Rohde & Schwarz, Advantest, Megger, LeCroy, Chroma and Fluke, plus thousands of New, Used, Second Hand, Pre-Owned, Demo, Refurbished, and Reconditioned test equipment products.

For over 18 years, we have been providing high quality spectrum analyzers, mobile phone testers, oscilloscopes, network analyzers, service monitors, RF amplifiers, broadband amplifiers, signal generators, OTDR, fusion splicers, and digital multimeters at great savings to over 200,000 customers worldwide. Lease or rent from us, and we can help manage your idle assets using our consignment program. Trade in underutilized test equipment for cash or credit towards the test solutions you need today! TEC offers repair and calibration support for thousands of current and discontinued brands. TEC's GSA Contract #GS-07F-0358U provides lower cost test and measurement equipment to qualifying government contractors and agencies.

www.TestEquipmentConnection.com

<p>Americas USA & Canada:(800) 615-8378 Florida:(407) 804-1299 Mexico: 52-55-8421-4127 Chile: 2-897-4335 Brazil:301-32793 Fax: 800-819-8378 / 407-804-1277 Skype: TestEquipmentConnection</p> <p>Test Equipment Connection Corporation 30 Skyline Drive Lake Mary, FL 32746 USA</p>	<p>Europe United Kingdom: 20-8144-7837 Ireland: 1-442-8376 Sweden: 46-46-288-61-42 Denmark: 369-92915 Finland: 358-9-2316-3837 Belgium: +32 (2)808 0820</p> <p>Test Equipment Connection Europe S.P.R.L. Levels 20, Bastion Tower 5 Place du Champ de Mars B-1050 Brussels</p>	<p>Asia/Pacific China: 86-136-3217-2095 Hong Kong: 852-2690-1360 Singapore: 65-6320-8596 Australia: 61-2-8011-3687 Skype: TEConnectionAsia</p> <p>TE Connection Asia, Ltd. Unit E4, 7/F., Phase I, Kaiser Estate, No. 41 Man Yue Street Kowloon, Hong Kong.</p> <p>Test Equipment Connection Pte. Ltd. 6 Battery Road #31-00 Standard Chartered Bank Building Singapore 049909</p>
---	--	---



[Click Here to Request an Offer on Your Surplus Test and Measurement Assets Today](#)